



333 Bayview Avenue  
Amityville, New York 11701  
For Sales and Repairs, (800) 645-9445  
For Technical Service, (800) 645-9440  
Publicly traded on NASDAQ Symbol: NSSC  
© NAPCO 2005

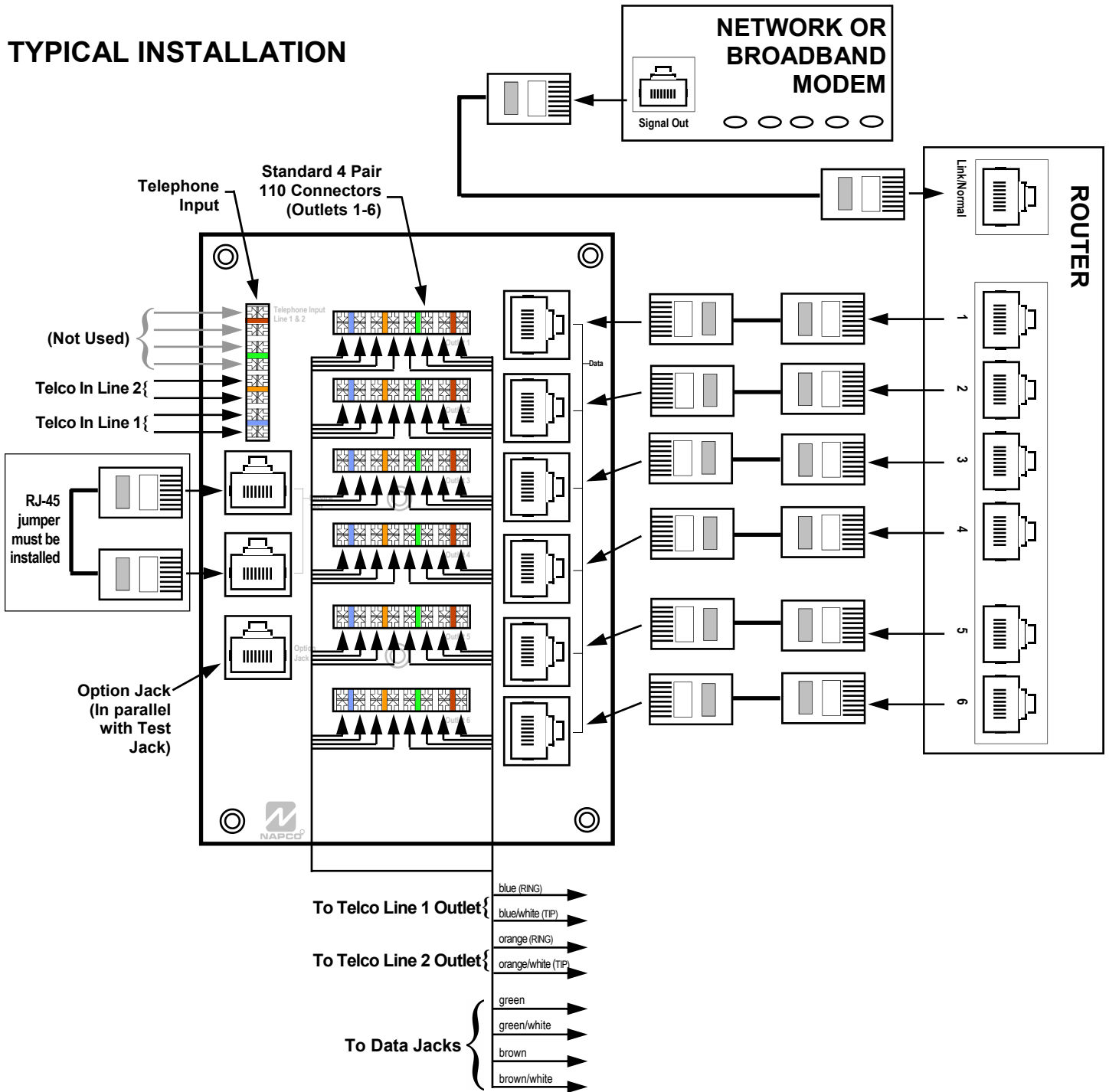
# NAPCO SMCAT5T2/D6 NET8 SINGLE WIRE VOICE/DATA MODULE INSTALLATION AND WIRING INSTRUCTIONS

WI1409A 6/05

The SMCAT5T2/D6 "NET8" Single Wire Voice / Data Module is designed to be the central termination point for all telephone and data outlets in a home or apartment. The termination on the SMCAT5T2/D6 divides a single CAT5e wire into 2 telephone lines and connections for 10/100 base Ethernet data.

CAT5e wire consists of 4 independent twisted pairs, designed to carry an independent service on each pair. This module takes full advantage of CAT5e's design by using 2 of the 4 pair to carry 10/100 base Ethernet and the remaining 2 pair to carry 2 telephone lines. This unique utilization of the CAT5 design provides a system that reduces the number of cable drops, thus reducing the cost of wire as well as the labor required to pull the wire. A wiring installation example is shown in the diagram below.

## TYPICAL INSTALLATION

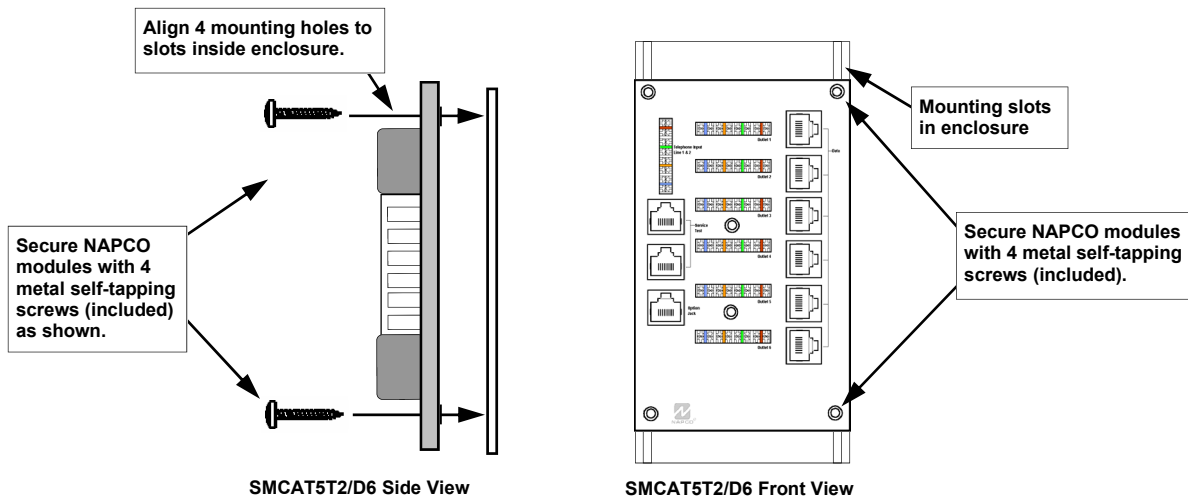


## BEFORE PROCEEDING, PLEASE READ THIS IMPORTANT SAFETY INFORMATION:

**CAUTION** - When installing or modifying telephone lines:

- Never install telephone wiring in wet locations or during a lightning storm;
- Never touch uninsulated telephone wires or terminals unless the telephone line has been disconnected at the network interface.

## MOUNTING



## WIRING THE ST3-DT Voice/Data Outlet

The ST3-DT single wire voice/data outlet (pictured below) is used in conjunction with the SMCAT5T2/D6 single wire voice / data module. **Note:** Both modules contain a 110 connector, which is a sophisticated insulation displacement connection system. To push the wire between the contact blades, use **ONLY** a 110 punch down tool. Using a screwdriver or needle nose pliers may not seat the wire properly and can damage the contacts.

