



333 Bayview Avenue
Amityville, New York 11701
For Sales and Repairs, (800) 645-9445
For Technical Service, (800) 645-9440

GEM-EZM4/8 ZONE EXPANSION MODULE for GEM-P816 & GEM-P1632 Control Panels

© Napco 1999

WI898E 4/2000

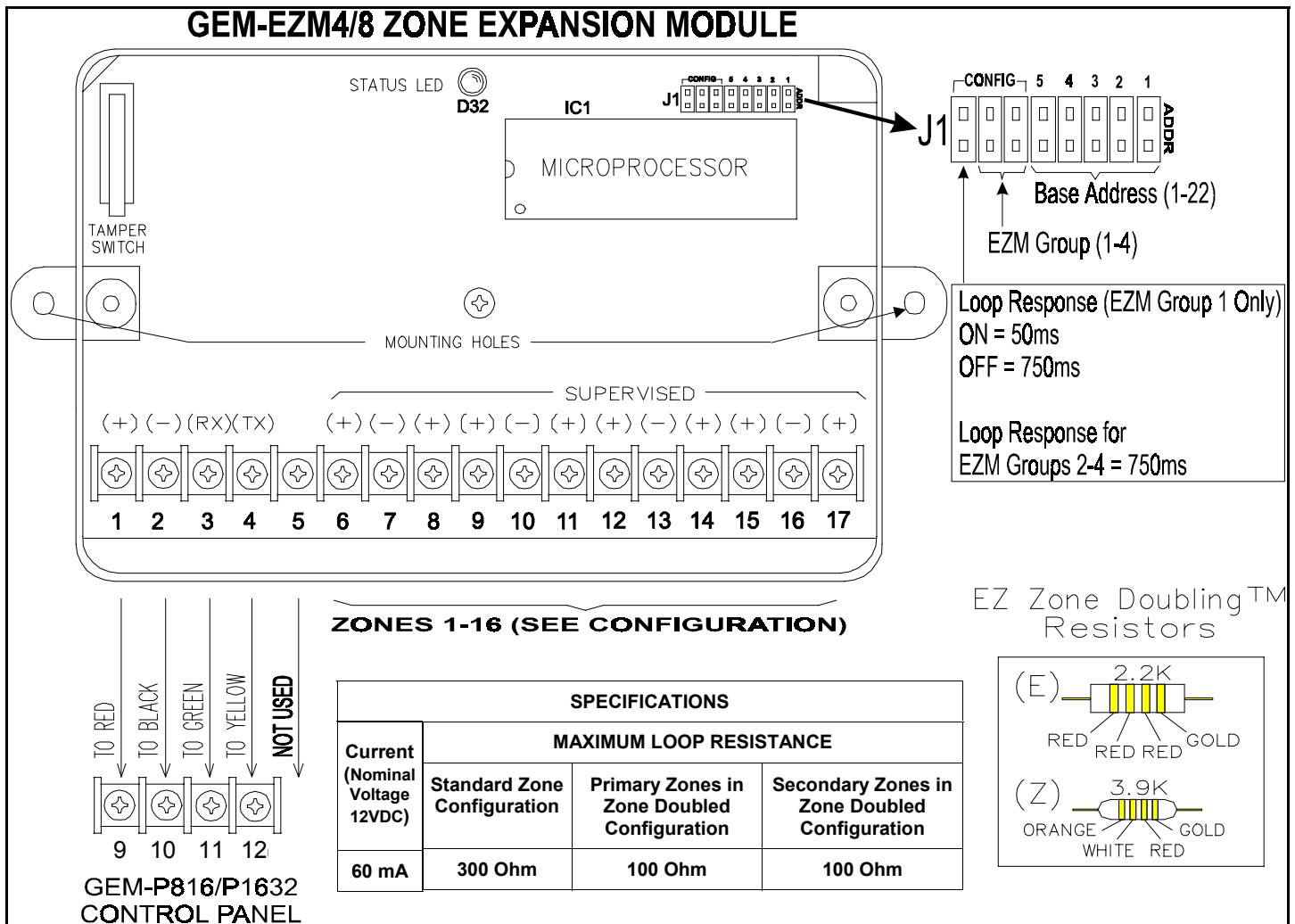
DESCRIPTION

The capacity of the GEM-P816 and GEM-P1632 control panels may be expanded through the use of GEM-EZM4/8 zone expansion module. Each GEM-EZM4/8 module provides up to 16 additional zones. It may be configured in a number of methods: 4 zones, 8 zones, 12 zones or 16 zones. Using any of these configurations, several GEM-EZM4/8 modules may be combined as necessary to supply the required number of zones to the GEM-P816 and GEM-P1632 control panels. Refer to the GEM-P816 Installation Instructions (WI994) and GEM-P1632 Installation Instructions (WI808) for wiring requirements for UL-listed applications. **Note:** The GEM-P816 is limited to 16 zones.

WIRING

Wire the expansion zones to the module and the module to the control panel in accordance with the wiring diagrams shown using wire no thinner than #22AWG. Install end-of-line resistors on all zones even if one or more zones are not used.

NOTE: The addition of Zone Expansion Modules will reduce the amount of current available by 60mA at the control panel's Auxiliary Power Output terminals.

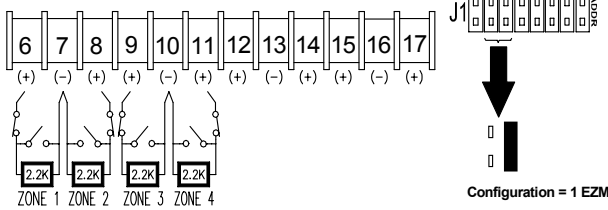


GEM-EZM4/8 Wiring Diagram

CONFIGURATION (EZM GROUPS)

The EZM Group Configuration indicates how many zones the module will contain. Additional zones can be added in the following configurations:

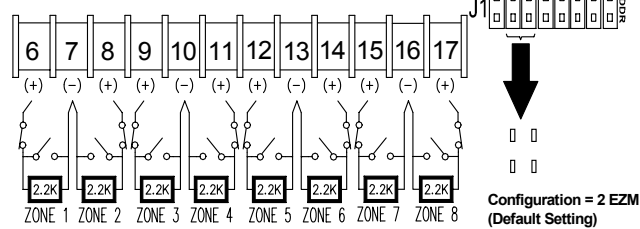
Configuration 1 (4 Zones)



Configuration = 1 EZM

NOTE: Normally open and normally closed devices may be wired to any of the first four zones (1-4) in this configuration.

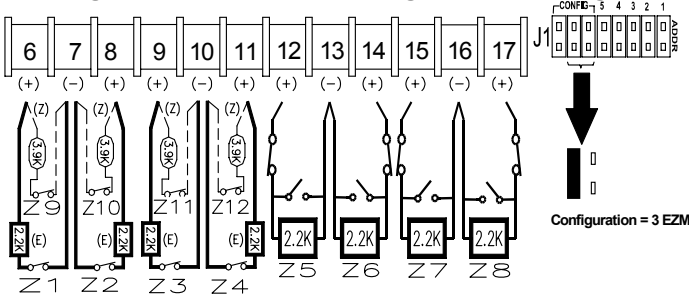
Configuration 2 (8 Zones)



Configuration = 2 EZM
(Default Setting)

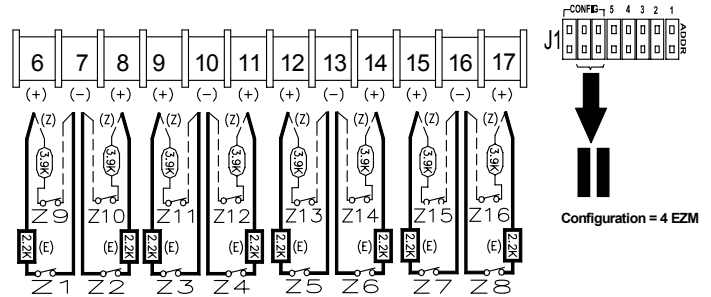
NOTE: Normally open and normally closed devices may be wired to any of the eight zones (1-8) in this configuration.

Configuration 3 (12 Zones using Zone Doubling)



Configuration = 3 EZM

Configuration 4 (16 Zones using Zone Doubling)



Configuration = 4 EZM

NOTE: If both zones in a zone-pair configuration (ex: zones 1 & 9 in the above diagrams) are to be used, then normally closed devices must be wired to both zones. If Normally open zones for fire or panic devices are required, then the lower zone (2.2K EOL resistor) must be used and the higher zone (3.9K EOL resistor) must not be programmed for any area. The 3.9K EOL resistor must be placed across the terminals of the higher zone. For proper supervision, the 2.2K EOL resistor must be placed at the end of the loop.

EZM GROUP MODULE ASSIGNMENT

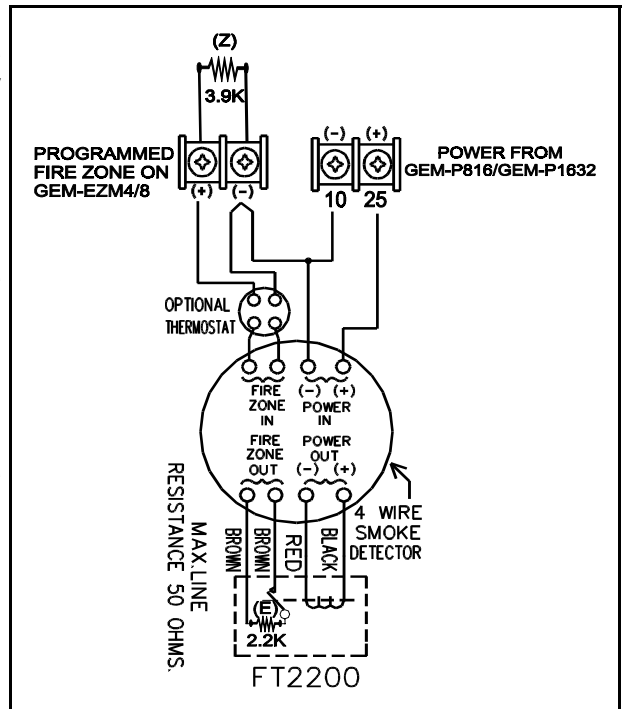
Regardless of how the modules are arranged, the expansion zones are divided into consecutively-numbered groups of four. Each module may comprise 1 group (4 zones), 2 groups (8 zones), 3 groups (12 zones) or 4 groups (16 zones). The EZM Group Assignment is done by configuring the jumpers as shown in the above wiring diagrams. **NOTE:** The default setting is 2 groups (8 zones).

BASE ADDRESS ASSIGNMENT

Every module must be assigned a unique "base address". The Base Address indicates which zones the module will contain. The base address depends on the number of zones used by the previous module or by the control panel. **NOTES:** (1) Groups must be numbered consecutively, that is, missing numbers are not permitted. (2) No two modules may be numbered alike.

Example. One GEM-EZM4/8 is used to provide 16 expansion zones to an existing 8 zone installation, increasing the total to 24 zones. The next zone available is zone 9, because the previous 8 zones are used by the control panel. The GEM-EZM4/8 will provide zones 9-24 and its base address will be "1" (see tables on next page).

GEM-EZM4/8
Groups 1, 2, 3 & 4,
Zones 9-24,
Base Address "1"



4-Wire Smoke Detector Wiring

The base address is assigned to the module by proper selection of Address Jumpers (to the right of the LED) in accordance with the following tables. Also refer to the Zone Wiring Diagram. **Note:** The GEM-P816 is limited to 16 zones.

GEM-P1632 WITH ZONE DOUBLING *DISABLED* (Zones 1-8 on Control Panel)

Base Address Jumpers					Config. 1 (1 EZM) 4 Zone		Config. 2 (2 EZM) 8 Zone (Default)		Config. 3 (3 EZM) 12 Zone		Config. 4 (3 EZM) 16 Zone	
5	4	3	2	1	Base Address	Zone No.	Base Address	Zone No.	Base Address	Zone No.	Base Address	Zone No.
off	off	off	off	ON	1	9-12	1, 2	9-16	1, 2, 3	9-16	1, 2, 3, 4	9-24
off	off	off	ON	off	2	13-16	2, 3	13-20	2, 3, 4	13-20	2, 3, 4, 5	13-28
off	off	off	ON	ON	3	17-20	3, 4	17-24	3, 4, 5	17-24	3, 4, 5, 6	17-32
off	off	ON	off	off	4	21-24	4, 5	21-28	4, 5, 6	21-28		
off	off	ON	off	ON	5	25-28	5, 6	25-32				

GEM-P1632 WITH ZONE DOUBLING *ENABLED* (Zones 1-8 on Control Panel)

Base Address Jumpers					Config. 1 (1 EZM) 4 Zone		Config. 2 (2 EZM) 8 Zone (Default)		Config. 3 (3 EZM) 12 Zone		Config. 4 (3 EZM) 16 Zone	
5	4	3	2	1	Base Address	Zone No.	Base Address	Zone No.	Base Address	Zone No.	Base Address	Zone No.
off	off	off	off	ON	1	17-20	1, 2	17-24	1, 2, 3	17-28	1, 2, 3, 4	17-32
off	off	off	ON	off	2	21-24	2, 3	21-28	2, 3, 4	21-32		
off	off	off	ON	ON	3	25-28	3, 4	25-32				

PROGRAMMING

The control panel must be programmed with regard to the total number of zones required. When keypad programming the control panel for the first time, the first programming option of the Easy Menu Driven Program Mode will be to enter the total number of zones in the system, rounded up to the nearest four. You can then support this total by adding the appropriate number of GEM-EZM4/8 modules which can be configured as 4, 8, 12 or 16 zone modules. The number of modules required is a function of the number of zones required as well as the configuration of the EZM's. If 24 additional zones are required and Config 2 (8 zones) is chosen, the number of EZM's required will be $24/8 = 3$ EZM's.

When downloading a control panel, the total number of zones is determined on the Zone Features screen by activating the required number of EZM modules in the System Configuration screen.

For Fire Zones, if an EZM module is selected as Config 3 or Config 4, which are both zone doubled configurations, and one of these doubled zones is programmed as a fire zone, the complimentary zone is lost. For example, if an EZM is configured as a 16 zone module (Config 4), and zone 1 of the module is programmed as a Fire Zone, zone 9 of the module will lose the zone doubling profile and cannot be used. It must be strapped out with a Z resistor (3.9K) across the zone. Zone 9 must be skipped in your control panel programming, and the next available zone will be Zone 10.

TAMPER

If the cover is removed, the keypad sounder will pulse and the display will indicate a zone-module tamper condition along with the module number. Press **RESET** to silence the sounder.

LOOP RESPONSE

Loop response times for Zones 1 through 8 are programmed in the control panel. Normal loop response for all expansion zones is 750mS. The module already comes without the jumper installed (defaulted to 750ms). To reduce the response time of zones 1 through 4 of the EZM Module to 50mS, add the Loop Response Jumper. To enable normal loop response (750 ms), remove the jumper. Refer to the Wiring Diagram.

STATUS LED

The Status LED displays the condition of the zone module. The following is a list of conditions for the LED:

1. OFF = Control Panel has no power applied
2. ON Steady = Control Panel has power applied but the panel is not polling because:
 - a. the panel is in "CONFIG",
 - b. the panel is not programmed correctly to poll the address of the EZM,
 - c. the GRN wire is not connected correctly.

3. PULSES off the EZM groups that are being polled
 - a. If the first EZM group (the base number) is polled the LED is normally on and pulses off once slowly.
 - b. If the first and second EZM group are polled then the LED is normally on and pulses off once then twice sequentially.
 - c. If the first, second, third and fourth groups are polled the LED is normally off and will pulse 1, 2, 3, 4 sequentially.
4. Rapid Flashing
 - a. GEM-EZM4/8 is connected to wrong panel type.
NOTE: Only GEM-P816 and GEM-P1632 may be connected

NAPCO LIMITED WARRANTY

NAPCO SECURITY SYSTEMS, INC. (NAPCO) warrants its products to be free from manufacturing defects in materials and workmanship for *thirty-six months* following the date of manufacture. NAPCO will, within said period, at its option, repair or replace any product failing to operate correctly without charge to the original purchaser or user.

This warranty shall not apply to any equipment, or any part thereof, which has been repaired by others, improperly installed, improperly used, abused, altered, damaged, subjected to acts of God, or on which any serial numbers have been altered, defaced or removed. Seller will not be responsible for any dismantling or reinstallation charges.

THERE ARE NO WARRANTIES, EXPRESS OR IMPLIED, WHICH EXTEND BEYOND THE DESCRIPTION ON THE FACE HEREOF. THERE IS NO EXPRESS OR IMPLIED WARRANTY OF MERCHANTABILITY OR A WARRANTY OF FITNESS FOR A PARTICULAR PURPOSE. ADDITIONALLY, THIS WARRANTY IS IN LIEU OF ALL OTHER OBLIGATIONS OR LIABILITIES ON THE PART OF NAPCO.

Any action for breach of warranty, including but not limited to any implied warranty of merchantability, must be brought within the six months following the end of the warranty period. IN NO CASE SHALL NAPCO BE LIABLE TO ANYONE FOR ANY CONSEQUENTIAL OR INCIDENTAL DAMAGES FOR BREACH OF THIS OR ANY OTHER WARRANTY, EXPRESS OR IMPLIED, EVEN IF THE LOSS OR DAMAGE IS CAUSED BY THE SELLER'S OWN NEGLIGENCE OR FAULT.

In case of defect, contact the security professional who installed and maintains your security system. In order to exercise the warranty, the product must be returned by the security professional, shipping costs prepaid and insured to NAPCO. After repair or replacement, NAPCO assumes the cost of returning products under warranty. NAPCO shall have no obligation under this warranty, or otherwise, if the product has been repaired by others, improperly installed, improperly used, abused, altered, damaged, subjected to accident, nuisance, flood, fire or acts of God, or on which any serial numbers have been altered, defaced or removed. NAPCO will not be responsible for any dismantling, reassembly or reinstallation charges.

This warranty contains the entire warranty. It is the sole warranty and any prior agreements or representations, whether oral or written, are either merged herein or are expressly cancelled. NAPCO neither assumes, nor authorizes any other person purporting to act on its behalf to modify, to change, or to assume for it, any other warranty or liability concerning its products.

In no event shall NAPCO be liable for an amount in excess of NAPCO's original selling price of the product, for any loss or damage, whether direct, indirect, incidental, consequential, or otherwise arising out of any failure of the product. Seller's warranty, as hereinabove set forth, shall not be enlarged, diminished or affected by and no obligation or liability shall arise or grow out of Seller's rendering of technical advice or service in connection with Buyer's order of the goods furnished hereunder.

NAPCO RECOMMENDS THAT THE ENTIRE SYSTEM BE COMPLETELY TESTED WEEKLY.

Warning: Despite frequent testing, and due to, but not limited to, any or all of the following; criminal tampering, electrical or communications disruption, it is possible for the system to fail to perform as expected. NAPCO does not represent that the product/system may not be compromised or circumvented; or that the product or system will prevent any personal injury or property loss by burglary, robbery, fire or otherwise; nor that the product or system will in all cases provide adequate warning or protection. A properly installed and maintained alarm may only reduce risk of burglary, robbery, fire or otherwise but it is not insurance or a guarantee that these events will not occur. CONSEQUENTLY, SELLER SHALL HAVE NO LIABILITY FOR ANY PERSONAL INJURY, PROPERTY DAMAGE, OR OTHER LOSS BASED ON A CLAIM THE PRODUCT FAILED TO GIVE WARNING. Therefore, the installer should in turn advise the consumer to take any and all precautions for his or her safety including, but not limited to, fleeing the premises and calling police or fire department, in order to mitigate the possibilities of harm and/or damage.

NAPCO is not an insurer of either the property or safety of the user's family or employees, and limits its liability for any loss or damage including incidental or consequential damages to NAPCO's original selling price of the product regardless of the cause of such loss or damage.

Some states do not allow limitations on how long an implied warranty lasts or do not allow the exclusion or limitation of incidental or consequential damages, or differentiate in their treatment of limitations of liability for ordinary or gross negligence, so the above limitations or exclusions may not apply to you. This Warranty gives you specific legal rights and you may also have other rights which vary from state to state.