

# Ademco Vista-15P/First Alert FA-148CP Program Sheet

- Enter Program** 1. 4112 + 8 + 0 + 0 (Display should show 20)  
or Power down then back up and press \* and # within 1 minute  
(You can re-enter programming after exiting within 1 minute by pressing \* and #)
- Exit Program** 1. \*98 OR 2. \*99 if needing to re-enter programming later by Code + 8 + 00
- Move to Location** \* + Location
- View Location** # + Location (Display will read off one digit at a time)
- Device Address** 1. All keypads must use address 16 to 23, 1st keypad must use address 16  
2. 4204 Zone Expanders use address 12 and 13 (1st must be address 12)  
3. 4219/4229 Zone Expander/Relay modules use 07 and 08 (1st must be address 07)  
4. Long Range Radio use address 03  
5. 4286 Voice Module use address 04 (permanently set)  
6. 5800TM Module for Bi-Direction Keyfobs must use address 28 (cut Red W1 jumper)  
*Note: Relays and Outputs must then be mapped in \*79 menu)*
- Keypad Address** Keypad included with Vista-15P is address 16, unaddressed keypads will show blank display  
1. Power keypad down then back up  
2. Hold 1 & 3 for 3 seconds, display should show "Addr = XX" (XX = current address)  
3. Within 10 seconds enter new address (16 to 23) then \* to exit
- Set Time/Date** 1. Master Code + # + 63  
2. Press \* within 30 seconds  
3. Enter 2-digit Hour (00 to 12)  
4. Enter 2-digit Minute (00 to 59)  
5. Press 1 for PM, press 2 for AM  
6. Enter last 2 digits of Year (01 to ??)  
7. Enter 2-digit Month  
8. Enter 2-digit Day  
9. Press \* to exit or wait 10 seconds

*20 Installer Code	4   1   1   2	
*21 Quick Arm Enable	1	0 = No 1 = Yes
*22 RF Jam Option	0	0 = No RF Jam 1 = RF Jam Enabled
*23 Forced Bypass Enable	0	0 = No 1 = Yes
*24 RF House Code	0     0	00 = Disabled, 01 to 31
*26 Chime by Zone	0	0 = No 1 = Yes (Program Zones in Zone List 3)
*27 X-10 House Code	0	0 = A 1 = B 2 = C 3 = D 4 = E 5 = F 6 = G 7 = H 8 = I 9 = J #10 = K #11 = L #12 = M #13 = N #14 = O #15 = P
*28 4285 Voice Module Access Code	0     0	00 = Disabled 1st digit = 1 to 9 2nd digit = # + 11 = * or # + 12 = #
*29 Output to Long Range Radio	0	0 = No 1 = Yes
*30 Hardwire Short Detection	0	0 = Disable 1 = Enable
*31 Single Alarm Sounding/Zone	0	0 = No 1 = Yes
*32 Fire Sounder Timeout	0	0 = Timeout 1 = No Timeout
*33 Alarm Bell Timeout	0	0 = None 1 = 4 minutes 2 = 8 minutes 3 = 12 minutes 4 = 16 minutes
*34 Exit Delay	7     0	00 to 99 seconds

# Ademco Vista-15P/First Alert FA-148CP Program Sheet

*35 Zone Type 01 Entry Delay	3   0	00 to 99 seconds
*36 Zone Type 02 Entry Delay	4   5	00 to 99 seconds
*37 Audible Exit Warning	1	0 = No 1 = Yes
*38 Confirm Arming Ding	0	0 = No 1 = Yes 2 = Yes RF Only
*39 Power Up in Previous State	0	0 = No 1 = Yes
*40 PABX Access Code (6 digits)		(If 9 is needed to dial add here)
*41 Primary Phone (20 digits) End Phone with *		
		# + 11 = * # + 12 = # # + 13 = 2.5 second pause
*42 Secondary Phone (20 digits)		
*43 Primary Account (Last 4 of Account)		
		(Hex A = # + 10 B = # + 11 C = # + 12 D = # + 13 E = # + 14 F = # + 15)
*44 Secondary Account (Do not Program)		
*47 Phone System Select		
	1	0 = Pulse Dial 1 = DTMF Dial 2 = Pulse Dial, CS on Watts Line 3 = DTMF Dial, CS on Watts Line
*48 Report Format		
	7   Primary	0 = 3/1, 4/1 Ademco L/S Standard
	7   Secondary	1 = 3/1, 4/1 Radionics Standard
		2 = 4/2 Ademco L/S Standard
		3 = 4/2 Radionics Standard
		6 = 4/2 Ademco Express
		7 = Contact ID
		8 = 3/1, 4/1 Ademco L/S Expanded
		9 = 3/1, 4/1 Radionics Expanded
*49 Split/Dual Reporting		
	0	
	<u>To Primary Phone</u>	<u>To Secondary Phone</u>
	0 = All Reports	Backup Only
	1 = Alarms, Restore, Cancel	All Other Reports
	2 = All Reports except Open/Close, Test	Open/Close, Test
	3 = Alarms, Restore, Cancel	All Reports
	4 = All Reports except Open/Close, Test	All Reports
	5 = All Reports (Dual Reporting)	All Reports
	(For pager programming go to *160 - *171)	
*50 15 Second Dial Delay		
	0	0 = No Delay 1 = Yes
*53 Sescoa/Radionics		
	0	0 = Radionics 1 = Sescoa 0 = All Others
*54 Dynamic Signaling Delay		
	0	0 = Delay from 0 to 225 seconds 1 = 15 seconds 2 = 30 seconds 3 = 45 seconds 4 = 60 seconds 5 = 75 seconds
*55 Dynamic Signaling Priority		
	0	0 = Primary Dialer First 1 = Long Range Radio First

# Ademco Vista-15P/First Alert FA-148CP Program Sheet

## \*56 Zone Programming

(Must use 6139 or 6160 Alpha Keypad here)

1. Press 1 here to allow confirming sensor after serial number input

Set To Confirm? 0 = No 1 = Yes 0
-------------------------------------

2. Enter Zone to program (01 to 99)

(\* for next, # for previous menu)

Enter Zn Num. (00 = Quit) 10
---------------------------------

This example shows Zone 10	
Hardwire Sensors	Zones 01 to 06
2-wire Smokes	Zone 01 only
4-wire Smokes	Zones 02 to 06
4219/4229 Expander	Zones 10 to 17
Keyfobs	Zones 49 to 56
Wireless	Zones 9 to 35
Duress	Zone 92
Fire Panic	Zone 95
Medical Panic	Zone 96
Police Panic	Zone 99

(Depends on receiver capacity)

3. This shows summary of current Zone programming

(\* for next, # for previous menu)

Zn ZT RC In: L 10 00 A0 RF: - -
------------------------------------

4. Enter Zone Type

(\* for next, # for previous menu)

10 Zone Type Disabled 00
-----------------------------

00 = Zone Disabled/Deleted	12 = Monitor Zone (non burg)
01 = Delay Zone	14 = 24 Hr Carbon Monoxide
02 = Secondary Delay Zone	16 = 24 Hr Fire w/ Verification
03 = Perimeter/Instant	20 = Arm-Stay (RF only)
04 = Interior Follower/Motions	21 = Arm-Away (RF only)
05 = Trouble by Day/Alarm by Night	22 = Disarm (RF only)
06 = 24 Hr Silent/Holdup	23 = No Alarm Response
07 = 24 Hr Police Panic	24 = Silent Burglary
08 = 24 Hr Aux/Medical	77 = Keyswitch Zone
09 = 24 Hr Supervised Fire	90 to 93 = Configurable
10 = Interior with Delay	(see locations 182 - 185)

To delete Zone enter 00  
then \* until "Delete Sensor"

Keyfobs will NOT operate until assigned to a User (see User Code Programming)

User Assign

1. Master Code + 8 + existing User (02 to 33) + # + 4
2. Enter 1st keyfob Zone (Zone 49 or 53)

(This assigns keyfob to a User Number, not a User Code)

5. Enter Report Code

(\* for next, # for previous menu)

10 Report Code 1st 10 2nd 00 A0
------------------------------------

(10 in first section gives report of A0)

5a. Enter type of Hardwire Zone

(\* for next, # for previous menu)

02 Hardware Type EOL 0
---------------------------

0 = EOL Resistors	1 = Normally Closed
1 = Normally Closed	2 = Normally Open

5b. Enter Response if Hardwired Zone (\* for next, # for previous menu)

10 Res Time 1
------------------

0 = 10msec	1 = 350msec (Default)
1 = 350msec (Default)	2 = 700msec
2 = 700msec	3 = 1.2 seconds

Hardwire Zones advance to step 9, Wireless Zones continue with step 6

6. Enter type of Sensor

(\* for next, # for previous menu)

10 Input Type RF Trans. 3
------------------------------

2 = Auxiliary Wired (Expander)	3 = Supervised RF (Doors, Motions, Smokes)
3 = Supervised RF (Doors, Motions, Smokes)	4 = Un-Supervised RF (some Panics)
4 = Un-Supervised RF (some Panics)	5 = RF Button Type RF (Keyfobs/Panics)

# Ademco Vista-15P/First Alert FA-148CP Program Sheet

## 7. Serial Number Programming

(\* for next, # for previous menu)

Press 1 then enter serial number or trip sensor twice, Loop number will also be learned

10 Input S/N: L  
AXXX-XXXX

This shows ready to learn  
Serial and Loop number is manually entered here  
or learned by tripping twice (keypad will beep)  
(Serial number sticker is on sensor)

10 Input S/N: L  
A884-3345 2

## 8. If "Set to Confirm" was selected while first entering \*56 this will appear

XMIT TO CONFIRM  
PRESS \* TO SKIP

Trip sensor again to confirm

Keyd A055-4557 1  
Rcvd A055-5433 1

If incorrect serial number was learned this will appear  
(This can be used to find a serial number if sticker was removed)

## 9. This shows summary of new sensor programming (\* for next, # for previous menu)

Zn ZT RC In: L  
10 03 A0 RF: 1s

## 10. Press 0 for next sensor or 1 to enter Alpha descriptions

Program Alpha?  
0 = No 1 = Yes 0

## 11. Enter next sensor or 00 to exit

Enter Zn Num.  
(00 = Quit) 10

## \*57 Function Key Programming

### 1. Press Function Key to program

(A = Top to D = Bottom Function Key)

Press Key to Pgm  
0 = Quit 0

### 2. Display shows Function Key chosen

(\* for next, # for previous menu)

Press Key to Pgm  
Function Key A

### 3. Choose Function for this Key

(\* for next, # for previous menu)

Key A Func  
Arm Away 03

00 = A Zone 95 B = Zone 99 C = Zone 96 D = Single Button Page  
01 = Single Button Page (sends 999-9999 message to Pager)  
02 = Display Time  
03 = Arm Away  
04 = Arm Stay  
05 = Arm Night/Stay (any Zone in User List 3)  
06 = Step Arming (Stay then Night/Stay then Away)  
07 = Device A Activation (Type 66 Function in \*80 menu)  
08 = Communication Test  
09 = Macro Key 1 (Activated by User Code + # + 66)  
10 = Macro Key 2 (Activated by User Code + # + 66)  
11 = Macro Key 3 (Activated by User Code + # + 66)  
12 = Macro Key 4 (Activated by User Code + # + 66)

### 4. Enter next Function Key or 0 to exit

Press Key to Pgm  
Function Key B

# Ademco Vista-15P/First Alert FA-148CP Program Sheet

## \*58 Expert Programming (faster)

(Must use 6139 or 6160 Alpha Keypad here)

1. Press 1 here to allow confirming sensor after serial number input

Set To Confirm? 0 = No 1 = Yes 0
-------------------------------------

2. Enter Zone to program (01 to 99) then \*

Zn ZT RC HW:RT 01 00 A0 EL : 1
-----------------------------------

3. Enter Zone Type

Zn ZT RC In: L 11 01 - -: -
--------------------------------

(Display moves to Report Code, # starts over)

To delete Zone enter 00 then \* until "Delete Sensor"

- |   |  |
|---|--|
| <ul style="list-style-type: none"> <li>00 = Zone Disabled/Deleted</li> <li>01 = Delay Zone</li> <li>02 = Secondary Delay Zone</li> <li>03 = Perimeter/Instant</li> <li>04 = Interior Follower/Motions</li> <li>05 = Trouble by Day/Alarm by Night</li> <li>06 = 24 Hr Silent/Holdup</li> <li>07 = 24 Hr Police Panic</li> <li>08 = 24 Hr Aux/Medical</li> <li>09 = 24 Hr Supervised Fire</li> <li>10 = Interior with Delay</li> </ul> | <ul style="list-style-type: none"> <li>12 = Monitor Zone (non burg)</li> <li>14 = 24 Hr Carbon Monoxide</li> <li>16 = 24 Hr Fire w/ Verification</li> <li>20 = Arm-Stay (RF only)</li> <li>21 = Arm-Away (RF only)</li> <li>22 = Disarm (RF only)</li> <li>23 = No Alarm Response</li> <li>24 = Silent Burglary</li> <li>77 = Keyswitch Zone</li> <li>90 to 93 = Configurable<br/>(see locations 182 - 185)</li> </ul> |
|---|--|

4. Display moves to Report Code, if needed enter 10

(Display moves to Sensor Type, # starts over)

Zn ZT RC In: L 11 01 10 RF: 1
----------------------------------

A key moves left through fields if needed  
B key moves right through fields if needed  
C key copies previous Zone attributes

Hardwired Zones automatically skip to step 9, Wireless Zones continue with step 5

5. Enter Wireless sensor type then \*

Zn ZT RC In: L 11 01 10 RF: 1
----------------------------------

- 3 = Supervised RF (Doors, Motions, Smokes)
- 4 = Un-Supervised RF (some Panics)
- 5 = RF Button Type RF (Keyfobs/Panics)

6. If Wireless enter Serial Number or trip sensor twice

(Keypad will beep twice as Sensor learns)

11 Input S/N: L XXXX-XXXX
------------------------------

11 Input S/N: L A884-3345 2
--------------------------------

7. Enter Loop only if manually entering Serial Number

(\* for next, # for previous menu)

Zn ZT RC In: L 11 01 10 RF: 1
----------------------------------

8. If "Set to Confirm" was selected while first entering \*58 this will appear

XMIT TO CONFIRM PRESS * TO SKIP
------------------------------------

Trip sensor again to confirm

Keyd A884-3345 1 Rcvd A884-3345 1
--------------------------------------

This shows panel and sensor serials match

9. Enter next sensor or 00 to exit

Zn ZT RC In: L 12 00 A0 RF: 1
----------------------------------

# Ademco Vista-15P/First Alert FA-148CP Program Sheet

## \*58 Keyfob Quick Learn Programming

Learns all 4 Zones at once, panel reserves 8 zones for keyfobs (Zones 49 to 56)

\*58 Expert Programming (Must use 6139 or 6160 Alpha Keypad here)

1. Press 1 here to allow confirming sensor after serial number input

Set To Confirm?  
0 = No 1 = Yes 0

2. Keypad displays summary of current programming, press D key and do NOT press \*

Zn ZT RC HW:RT  
01 00 A0 EL : 1

3. Enter Template

TEMPLATE ?  
1 - 6 1

For standard 5804 use Template 3 (best choice) then \*  
For 5804Bi-Directional use Template 6 (best choice) then \*

5804 Standard Keyfobs		5804BD/BDV Bi-direction Keyfob	
Template 1	Loop 1 = 23 (No Response) Loop 2 = 22 (Disarm) Loop 3 = 21 (Arm Away) Loop 4 = 23 (No Response)	Template 4	Loop 1 = 23 (No Response) Loop 2 = 23 (No Response) Loop 3 = 21 (Arm Away) Loop 4 = 22 (Disarm)
Template 2	Loop 1 = 23 (No Response) Loop 2 = 22 (Disarm) Loop 3 = 21 (Arm Away) Loop 4 = 20 (Arm Stay)	Template 5	Loop 1 = 23 (No Response) Loop 2 = 20 (Arm Stay) Loop 3 = 21 (Arm Away) Loop 4 = 22 (Disarm)
Template 3	Loop 1 = 07 (24 Hour Audible) Loop 2 = 22 (Disarm) Loop 3 = 21 (Arm Away) Loop 4 = 20 (Arm Stay)	Template 6	Loop 1 = 07 (24 Hour Audible) Loop 2 = 20 (Arm Stay) Loop 3 = 21 (Arm Away) Loop 4 = 22 (Disarm)

4. this is template 3 settings for 5804 (Left) or Template 6 for 5804BD/BDV (Right)

L 01 02 03 04  
T 07 22 21 20

L 01 02 03 04  
T 07 20 21 22

5. Panel searches highest free 4 consecutive Zones then displays 1st of the 4 Zones (in this case 53)

ENTER START ZONE  
00 = QUIT 53

6. Press \* to accept template and learn sensor (Do not worry about Loop numbers)

53 Input S/N: L  
Axxx-xxxx

Press any key on sensor to learn or manually enter serial number

XMIT TO CONFIRM  
PRESS \* TO SKIP

Trip sensor again to confirm (will show matching serial numbers)

7. Panel now searches next highest free 4 consecutive Zones for next keyfob (in this case 49)

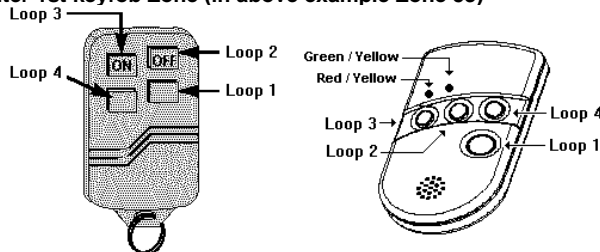
ENTER START ZONE  
00 = QUIT 49

Zn ZT RC HW:RT  
01 00 A0 EL : 1

Press \* for next keyfob or 00 for normal \*58 Zone programming

Keyfobs will NOT operate until assigned to a User (see below)

- User Assign
1. Master Code + 8 + User (02 to 33) + # + 4
  2. Enter 1st keyfob Zone (in above example Zone 53)



# Ademco Vista-15P/First Alert FA-148CP Program Sheet

*59 Exit Alarm Report Code	0	
*60 Trouble Report Code	1   0	
*61 Bypass Report Code	0   0	
*62 AC Loss Report Code	1   0	
*63 Low Bat Report Code	1   0	
*64 Test Report Code	0   0	
*65 Open Report Code	0	
*66 Away/Stay Report Code	0   0	
*67 RF Xmtr Low Bat Report Code	0   0	
*68 Cancel Report Code	1   0	
*70 Alarm Restore Report Code	0	
*71 Trouble Restore Report Code	0   0	
*72 Bypass Restore Report Code	0   0	
*73 AC Restore Report Code	0   0	
*74 Low Bat Restore Report Code	0   0	
*75 RF Low Bat Restore Report Code	0   0	
*76 Test Restore Report Code	0   0	
*77 Daylight Savings Start/End Month	4   10	0 = Disabled 1 = January to 12 = December
*78 Daylight Savings Start/End Weekend	1   Start   5   End	

\*79 Output Relays (4204/4219 Output Mapping)  
 \*80 Output Device Programming  
 \*81 Zone Lists for Output Devices  
 \*82 Custom Alpha Editing

*84 Auto Stay Arming	0	0 = No 1 = Yes, Partition 1 only																
*85 Cross Zone Timer	0	<table border="0" style="width: 100%; border-collapse: collapse;"> <tr> <td style="width: 50%;">0 = 15 sec</td> <td style="width: 50%;">9 = 5 min</td> </tr> <tr> <td>1 = 30 sec</td> <td># + 10 = 6 min</td> </tr> <tr> <td>3 = 60 sec</td> <td># + 11 = 7 min</td> </tr> <tr> <td>4 = 90 sec</td> <td># + 12 = 8 min</td> </tr> <tr> <td>5 = 2 min</td> <td># + 13 = 10 min</td> </tr> <tr> <td>6 = 2 1/2 min</td> <td># + 14 = 12 min</td> </tr> <tr> <td>7 = 3 min</td> <td># + 15 = 15 min</td> </tr> <tr> <td>8 = 4 min</td> <td></td> </tr> </table>	0 = 15 sec	9 = 5 min	1 = 30 sec	# + 10 = 6 min	3 = 60 sec	# + 11 = 7 min	4 = 90 sec	# + 12 = 8 min	5 = 2 min	# + 13 = 10 min	6 = 2 1/2 min	# + 14 = 12 min	7 = 3 min	# + 15 = 15 min	8 = 4 min	
0 = 15 sec	9 = 5 min																	
1 = 30 sec	# + 10 = 6 min																	
3 = 60 sec	# + 11 = 7 min																	
4 = 90 sec	# + 12 = 8 min																	
5 = 2 min	# + 13 = 10 min																	
6 = 2 1/2 min	# + 14 = 12 min																	
7 = 3 min	# + 15 = 15 min																	
8 = 4 min																		

*86 Cancel Verify	0	0 = No 1 = Yes																
*87 Misc Fault Delay Time	0	<table border="0" style="width: 100%; border-collapse: collapse;"> <tr> <td style="width: 50%;">0 = 15 sec</td> <td style="width: 50%;">9 = 5 min</td> </tr> <tr> <td>1 = 30 sec</td> <td># + 10 = 6 min</td> </tr> <tr> <td>3 = 60 sec</td> <td># + 11 = 7 min</td> </tr> <tr> <td>4 = 90 sec</td> <td># + 12 = 8 min</td> </tr> <tr> <td>5 = 2 min</td> <td># + 13 = 10 min</td> </tr> <tr> <td>6 = 2 1/2 min</td> <td># + 14 = 12 min</td> </tr> <tr> <td>7 = 3 min</td> <td># + 15 = 15 min</td> </tr> <tr> <td>8 = 4 min</td> <td></td> </tr> </table>	0 = 15 sec	9 = 5 min	1 = 30 sec	# + 10 = 6 min	3 = 60 sec	# + 11 = 7 min	4 = 90 sec	# + 12 = 8 min	5 = 2 min	# + 13 = 10 min	6 = 2 1/2 min	# + 14 = 12 min	7 = 3 min	# + 15 = 15 min	8 = 4 min	
0 = 15 sec	9 = 5 min																	
1 = 30 sec	# + 10 = 6 min																	
3 = 60 sec	# + 11 = 7 min																	
4 = 90 sec	# + 12 = 8 min																	
5 = 2 min	# + 13 = 10 min																	
6 = 2 1/2 min	# + 14 = 12 min																	
7 = 3 min	# + 15 = 15 min																	
8 = 4 min																		

*89 Event Log Full Report Code	0	0 = No Report 1 = to F = Report
--------------------------------	---	------------------------------------

*90 Event Logging (Add together if needed)	# 15	0 = No Event Logging 1 = Log Alarm/Alarm Restore 2 = Log Trouble/Trouble Restore 4 = Log Bypass/Bypass Restore 8 = Log Open/Close F = Log All
---	------	--





# Ademco Vista-15P/First Alert FA-148CP Program Sheet

**\*80 Output Device Programming**

1. Enter Output Function Number (Output number mapped in \*79) (\* for next, 00 to exit)

Output Funct # (00 = Quit)    01
-------------------------------------

01 to 40

2. This shows current Output programming (\* for next, # for previous)

01 A E P Trig ?00 0 0 - ZL=00
----------------------------------

3. Enter how Output will be activated (\* for next, # for previous)

01 Activated By: Delete            0
---

- 0 = Delete Output Programming
- 1 = Zone List            (example: Fault by a Zone)
- 2 = Zone Type          (example: Fault by a Delay Zone)
- 3 = Zone Number        (example: Fault by Zone 12)

3a. If Zone List selected enter here (\* for next, # for previous)

01 Zn List None            0
---------------------------------

- List 01 = General Purpose
- List 02 = General Purpose
- List 03 = Chime by Zone
- List 04 = Cross Zones
- List 05 = Night/Stay (for Night/Stay Arming)
- List 06
- List 07 = General Purpose
- List 08 = General Purpose
- List 09 = Zones that activate Pager 1
- List 10 = Zones that activate Pager 2

3b. If Zone Type selected enter here then 00 for next display (\* for next, # for previous)

01 Enter Zn Type Zone Disabled 00
--------------------------------------

- |   |  |
|---|--|
| <ul style="list-style-type: none"> <li>00 = Not Used (Exit)</li> <li>01 = Entry/Exit 1</li> <li>02 = Entry/Exit 2</li> <li>03 = Perimeter</li> <li>04 = Interior/Motion</li> <li>05 = Trouble Day/Alarm Night</li> <li>06 = 24 Hour Silent</li> <li>07 = 24 Hour Audible</li> <li>08 = 24 Hour Auxiliary</li> <li>09 = Fire</li> <li>10 = Interior with Delay</li> <li>12 = Monitor Zone</li> <li>16 = Fire w/Verification</li> <li>20 = Arm Stay</li> <li>21 = Arm Away</li> <li>22 = Disarm</li> <li>23 = No Alarm Response</li> <li>24 = Silent Burglary</li> <li>25 = Keyswitch Zone</li> </ul> | <ul style="list-style-type: none"> <li>31 = End of Exit Time</li> <li>32 = Start of Entry Time</li> <li>33 = Any Burglar Alarm</li> <li>36 = At Bell Timeout</li> <li>38 = Chime</li> <li>40 = Bypassing</li> <li>41 = AC Power Failure</li> <li>42 = System Low Battery</li> <li>43 = Communication Failure</li> <li>52 = KISSOFF</li> <li>54 = Fire Zone Reset</li> <li>58 = Duress</li> <li>60 = AAV 2-Way Module</li> <li>66 = Function Key*</li> <li style="padding-left: 20px;">*Set as Function 7 in *57</li> <li>67 = Bell Failure</li> <li>68 = Telco Line Cut</li> <li>78 = Keyswitch Red LED</li> <li>79 = Keyswitch Green LED</li> </ul> |
|---|--|

3c. If Zone Number selected enter here (\* for next, # for previous)

01 Enter Zn Num. None            00
--

01 to 40, 91, 92 and 99

Then enter Event (\* for next, # for previous)

01 Enter Event Restore         0
-------------------------------------

- 0 = Zone Restore
- 1 = Alarm/Fault/Trouble

4. Enter what the Output will do (\* for next, # for previous)

01 Output Action Off            0
--------------------------------------

- 0 = Off/Disabled
- 1 = Close for 2 seconds
- 2 = Close and stay closed
- 3 = Continuous 1 second pulse On & Off
- 4 = Change Device State (close if open, open if closed)
- 5 = On for Duration 1 (from field \*177)
- 6 = On for Duration 2 (from field \*177)

# Ademco Vista-15P/First Alert FA-148CP Program Sheet

5. Enter Output Number

(\* for next, # for previous)

Enter Output No.  
R01 01

Output 01 to 08 as defined in \*79 menu

6. This is new Output programming

(\* for next, # for previous)

01 A E P Trig  
R01 1 1 3 ZL=1

7. Enter next Output Number or 00 to exit

Output Funct #  
(00 = Quit) 01

\*81 Zone Lists for Output Devices

1. Enter Zone List to program

(\* for next, 00 to exit)

Enter Zn List  
(00 = Quit) 01

List 1 = General Purpose  
List 2 = General Purpose  
List 3 = Chime by Zone  
List 4 = Cross Zones  
List 5 = Night/Stay (for Night/Stay Arming)  
List 6 = General Purpose  
List 7 = General Purpose  
List 8 = General Purpose  
List 9 = Zones that activate Pager 1  
List 10 = Zones that activate Pager 2

2. Enter Zone(s) to add to Zone List

01 Enter Zn Num.  
(00 = Quit) 00

Enter multiple Zones as 01\* 02\* 03\*, finish with 00

3. Delete Zone List here if needed

01 Del Zn List?  
0 = No 1 = Yes 0

Enter multiple Zones as 01\* 02\* 03\*, finish with 00

4. Delete Zone here if needed

01 Delete Zone?  
0 = No 1 = Yes 0

01 Zn to Delete?  
(00 = Quit) 00

Delete multiple Zones as 01\* 02\* 03\*, finish with 00

5. Enter next Zone List to program or 00 to exit

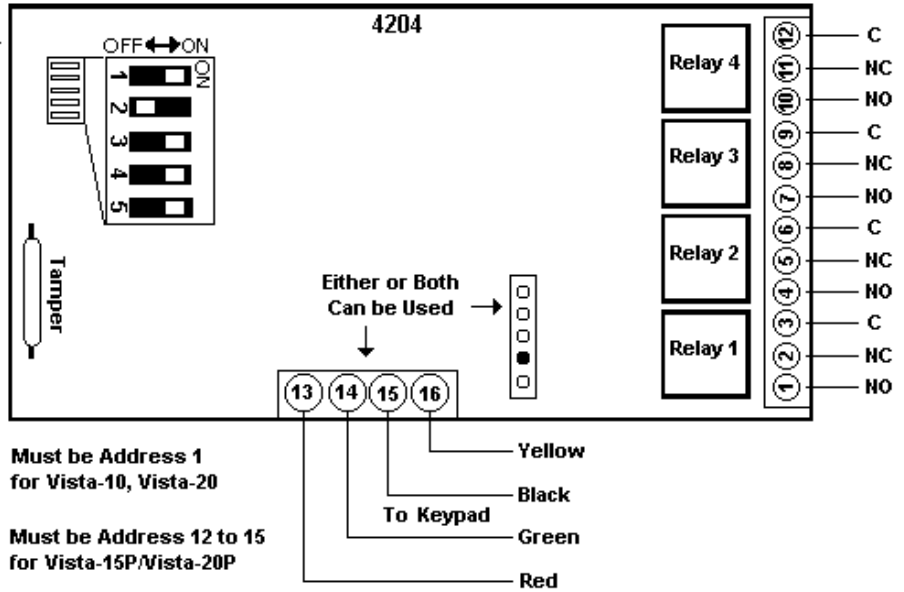
Enter Zn List  
(00 = Quit) 01

# Ademco Vista-15P/First Alert FA-148CP Program Sheet

## Ademco 4204 Relay Module

SW1 OFF = Enable Module Tamper  
ON = Disable Module Tamper

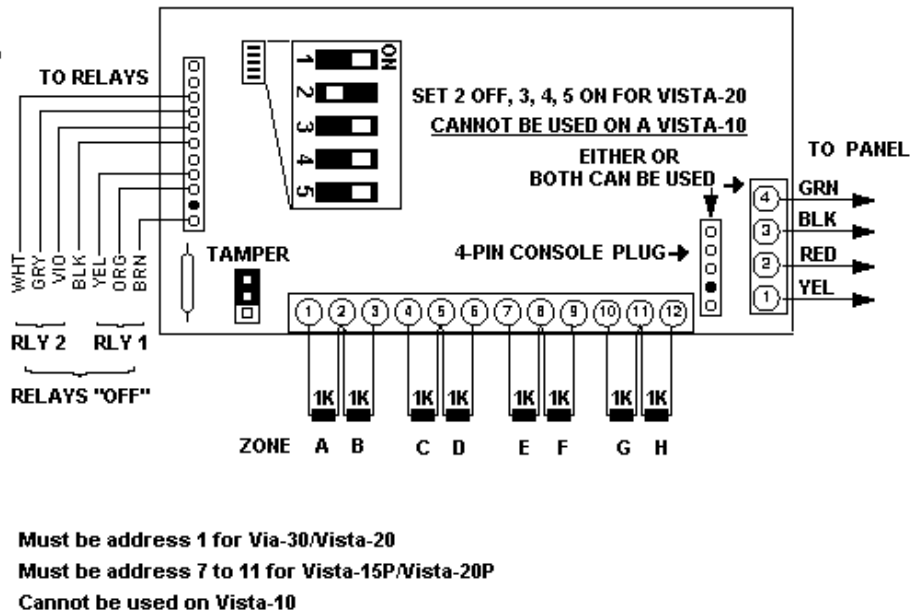
Address	2	3	4	5
0	ON	ON	ON	ON
1	OFF	ON	ON	ON
2	ON	OFF	ON	ON
3	OFF	OFF	ON	ON
4	ON	ON	OFF	ON
5	OFF	ON	OFF	ON
6	ON	OFF	OFF	ON
7	OFF	OFF	OFF	ON
8	ON	ON	ON	OFF
9	OFF	ON	ON	OFF
10	ON	OFF	ON	OFF
11	OFF	OFF	ON	OFF
12	ON	ON	OFF	OFF
13	OFF	ON	OFF	OFF
14	ON	OFF	OFF	OFF
15	OFF	OFF	OFF	OFF



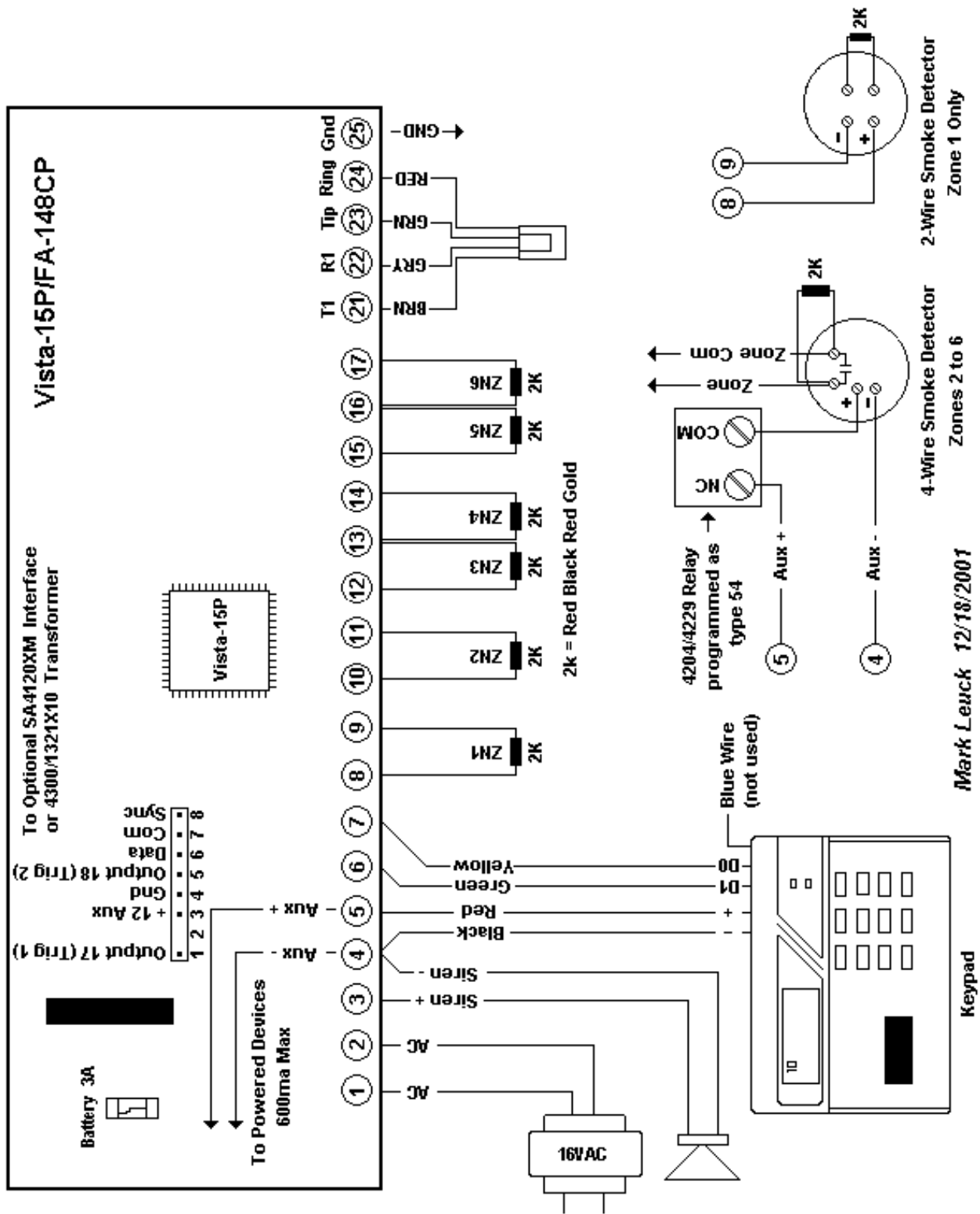
## Ademco 4219/4229 Relay/Zone Expander

Switch 1  
ON = Zone A Normal Loop  
OFF = Zone A Fast Loop

Address	2	3	4	5
0	ON	ON	ON	ON
1	OFF	ON	ON	ON
2	ON	OFF	ON	ON
3	OFF	OFF	ON	ON
4	ON	ON	OFF	ON
5	OFF	ON	OFF	ON
6	ON	OFF	OFF	ON
7	OFF	OFF	OFF	ON
8	ON	ON	ON	OFF
9	OFF	ON	ON	OFF
10	ON	OFF	ON	OFF
11	OFF	OFF	ON	OFF
12	ON	ON	OFF	OFF
13	OFF	ON	OFF	OFF
14	ON	OFF	OFF	OFF
15	OFF	OFF	OFF	OFF



# Ademco Vista-15P/First Alert FA-148CP Program Sheet



Mark Leuck 12/18/2001

# Monitronics Monitoring and Service: 1-800-447-9239

## Ademco Vista-15P/First Alert FA-148CP Quick Reference Guide

Arm Away	User Code + AWAY key (2) <i>Note:</i> If system shows NOT READY press * to view open zones
Arm Stay	User Code + STAY key (3)
Disarming / Silencing Alarms	User Code + OFF key (1) If turning off an alarm enter User Code + OFF key (1) again to clear display
Instant Doors	User Code + INSTANT (7) to arm system Entry/Exit doors will arm instant and motion detectors will be bypassed (display will show both STAY and INSTANT)
Zone Bypassing	User Code + BYPASS key (6) + Zone (01, 02, 03 etc). The display will show BYPASS and the zone bypassed <i>Note:</i> Fire/Smoke Detector Zones cannot be bypassed
User Codes	Enter MASTER CODE + CODE key (8) Enter User to program (03 to 33) Enter new 4-digit User Code  To delete a code Enter MASTER CODE + CODE key (8) Enter User to delete (03 to 33) + # + 0  Master Code can be changed by MASTER CODE + 8 + 02 + New MASTER CODE + New MASTER CODE  Master Code + CHIME (9), if activated the display will show CHIME, repeat to turn Chimes OFF  (Keypad will beep if command is successful)  (Keypad will beep if command is successful)
Door Chimes	NO AC = Loss of AC power to the system LOW BAT = Main panel has a low battery, if LOW BAT appears with a zone number that zone has low battery CHECK = There is a problem with a wireless zone, fire zone or the main systems wireless receiver
Trouble Display	By holding down a combination of numbers will activate the Police, Fire and Medical Panics Press * and # at same time for Police Panic Press 1 and * at the same time for Fire Panic Press 3 and # at the same time for Medical Panic <i>Note:</i> The Fire and Medical Panics may be reversed or disabled on some systems
Panic Buttons	Master Code + # + 63 + * Enter 2-digit Hour (00 to 12) Enter 2-Digit Minute (00 to 59) Press 1 for PM, press 2 for AM Enter 2-digit Year (01 to 99) Enter 2-digit Month (01 to 12) Enter 2-digit Day (01 to 31) Press * to exit
Set Time/Date	

**Do not pause more than 2 seconds between each keypress or system will ignore above commands**