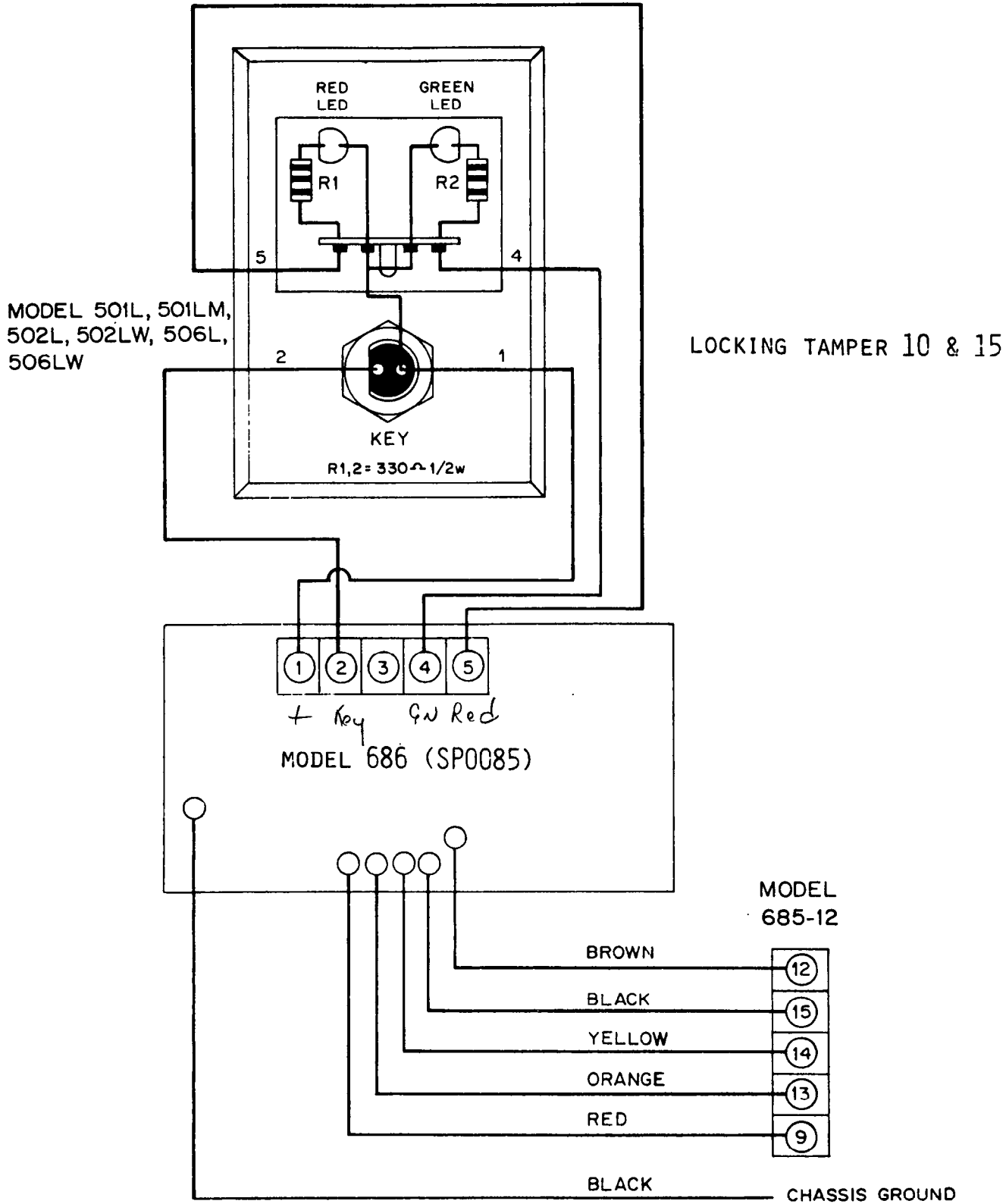


ALARMEX Model SP0085

Solid State Ratchet Module with
Fail-Safe Arming for Model 685 12

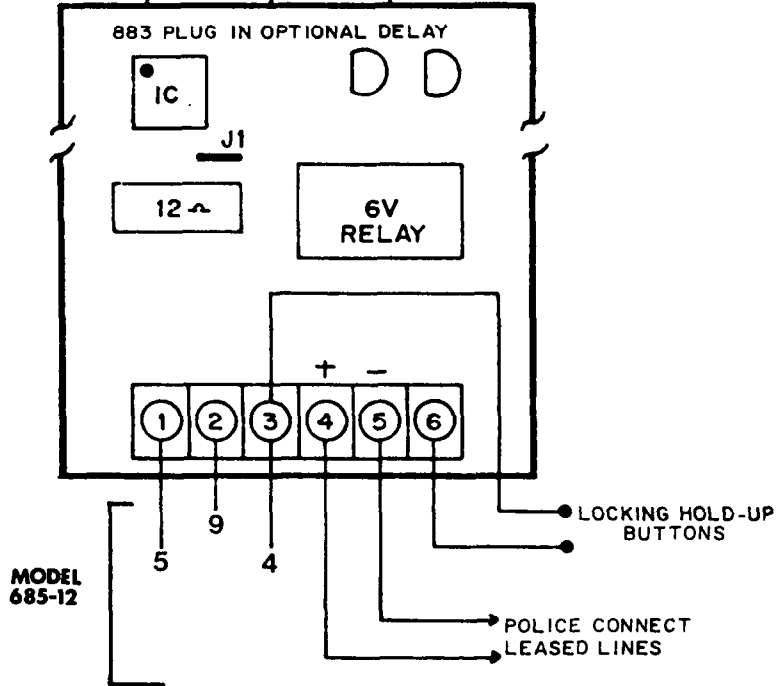
HOOK-UP TO MODEL 685-12



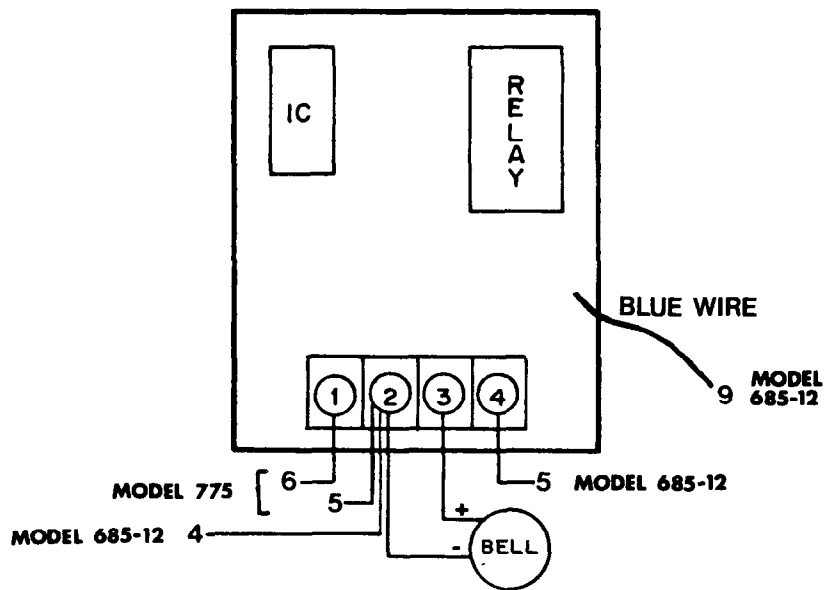
ALARMEX

SPECIAL HOOK-UPS TO 685-12 & SP0085 (686)

1232 POLICE CONNECT MODULE When using 30 second delay option 883, cut Jumper J1.



681 FIRE BELL PULSING MODULE



WIRING MODEL 545 TO MODEL 685 & MODEL SP0085 (686)

		685	SP0085(686)
B+ IN	BLUE	9	-
B- IN	BROWN	15	-
KEYSWITCH OUTPUT	YELLOW	-	2
GREEN LED +	ORANGE	-	1
GREEN LED -	RED	-	4
RED LED +	GREEN	-	1
RED LED -	VIOLET	-	5
KEYSWITCH VOLTAGE	WHITE	----NOT USED----	
HOLD-UP	BLACK	SEE 545 INSTRUCTIONS (FIG.3) FOR DIALER USE	
SPARE	GREY	-	-
J1/J2		AS SHIPPED	AS SHIPPED

SEE INSTRUCTION SHEET FOR MODEL 545 FOR
ADDITIONAL INFORMATION.

WIRING MODEL 551 TO MODEL 685 & MODEL SP0085 (686)

(686)

551	685	SP0085
+1	9	-
-2	15	-
-3 R	-	5
-4 G		4
5	N/A	N/A
6	-	2
7	A-D	A-D
8	--RED WIRE FROM 550--	
9	BLACK WIRE FROM 550--	
10	NORMALLY CLOSED CONTACT	To be used to shunt out certain areas of protection. Contacts will lock-in. Yellow LED will follow.
11	COMMON	
12	NORMALLY OPEN CONTACT	
J1 GREEN	AS SHIPPED	AS SHIPPED
J2 RED	AS SHIPPED	AS SHIPPED
J3 WHITE	-	-

N/A = NOT APPLICABLE

SEE INSTRUCTION SHEET FOR MODEL 550/551
FOR ADDITIONAL INFORMATION.

Notes