

# Fire Burglary Instruments Inc.

999 A STEWART AVE.  
GARDEN CITY, N.Y. 11530  
516-222-9030

## MODEL 508 INSTALLATION INSTRUCTIONS

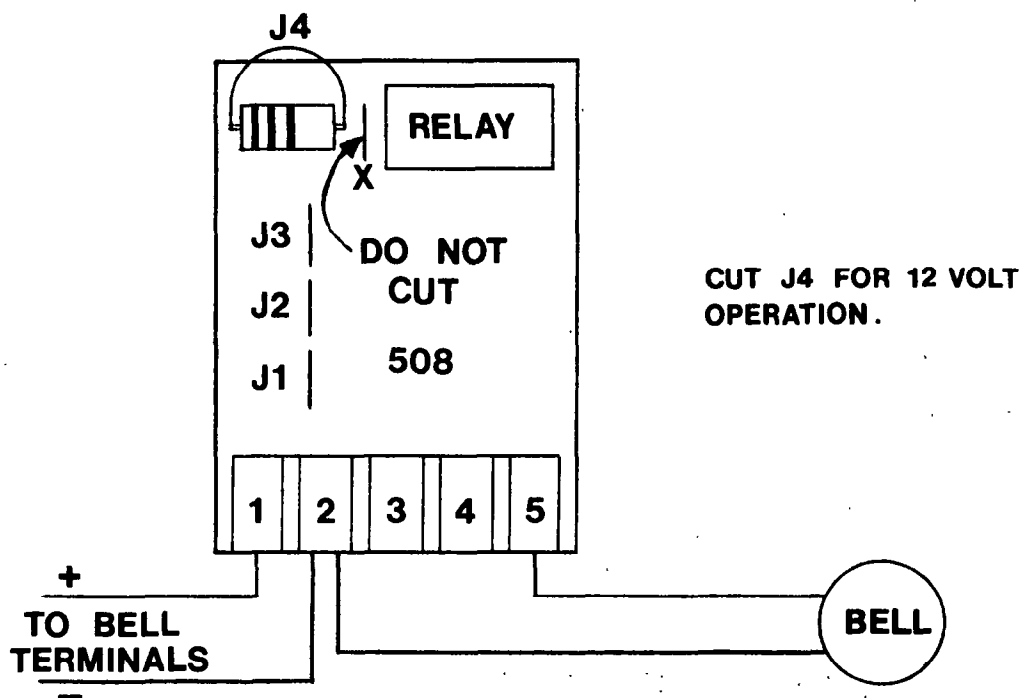
The 508 may be wired as: 1) Bell Cut Off. 2) Recycle Timer. 3) Bell Sounding Delay. The unit is preset for 30 seconds. Make connections as outlined below and test operation. Now select desired time and cut appropriate jumpers.

J3 13-18 minutes  
J2 13-18 minutes  
J1 4-5 minutes

With more than one jumper cut.  
the times are accumulative. i.e. J1  
& J2 cut - 17-23 minutes.

### BELL CUT OFF

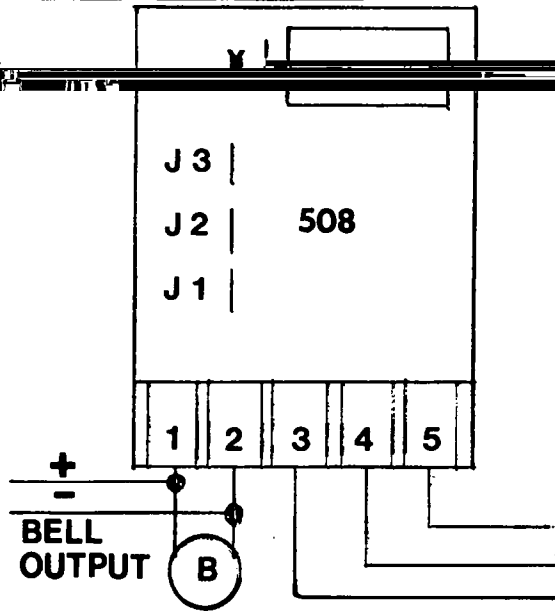
NOTES: 1. If cut off indicator light is used, connect #504 between terminals 2 & 3.



ISSUE C  
DATE 9-1-78

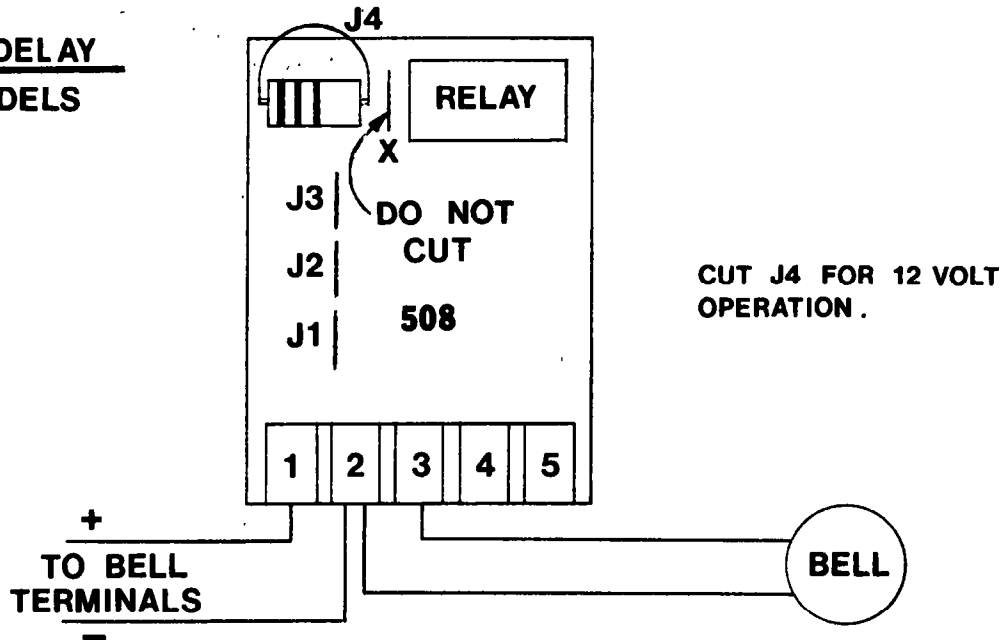
REMEMBER... "WE DO WHAT THEY DON'T"

**RECYCLE TIMER CUT JUMPER X**



508-6 VOLT					
	1	2	3	4	5
600	26	25	X	IN SERIES WITH RECYCLE JUMPER J2 OF 600	
675	24	25	X	IN SERIES WITH JUMPER J2 OF 675	
800	9	10	X	IN SERIES WITH 4th	
875	11	12	X	POSITION OF KEYSWITCH	
508-12 VOLT					
1200	8	7	6	10	

**BELL SOUNDING DELAY  
ALL NON-UL MODELS**



**BELL SOUNDING DELAY  
MODEL 875 ONLY**

**CUT JUMPER X**

