

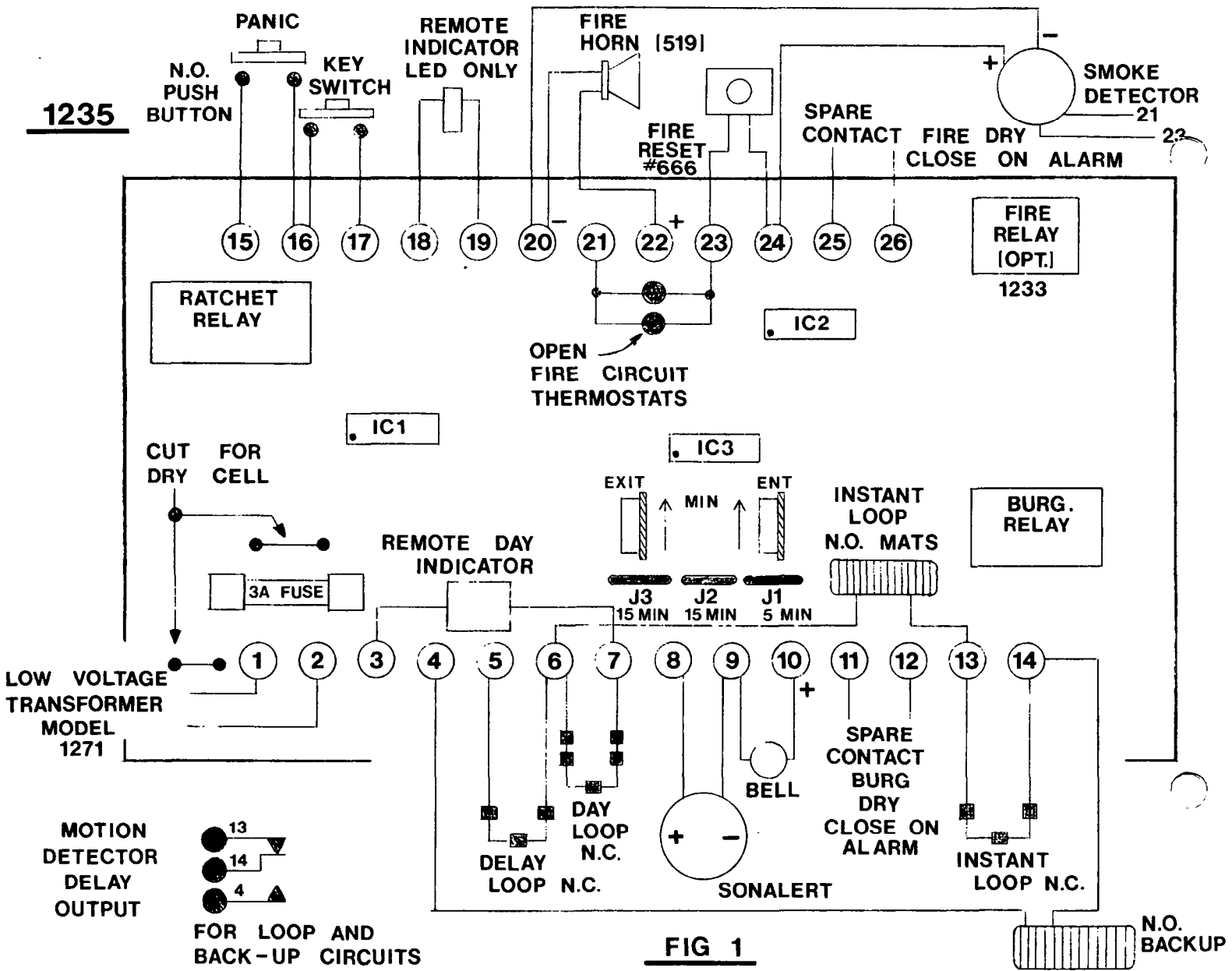
# Fire Burglary Instruments Inc.

999 A STEWART AVE.  
GARDEN CITY, N.Y. 11530  
516 - 222 - 9030

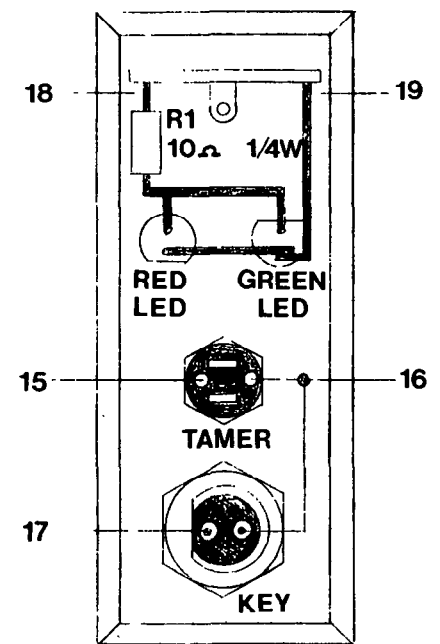
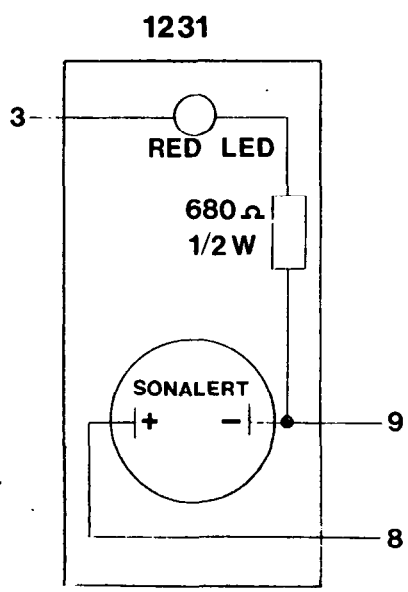
## 1235 INSTALLATION INSTRUCTIONS

Terminals 1-2	12 VAC input: connect 1271 transformer (supplied) to <u>24 hour power outlet</u> . Wire output of transformer to 1 & 2.
Terminals 3-7	Remote day indicator - L.E.D. indication - day loop bypass L.E.D. on indicates bypassed
Terminals 4-14	Secondary Circuit "Back-up Protection - open circuit devices (wired in parallel) active only after instant, day or delay loop is tripped and remains open with the bell cut-off. Use for interior protection.
Terminals 5-6	Delay loop - wire closed circuit contacts to these terminals. for entry and exit doors.
Terminals 6-7	24 hour day loop - closed protective circuit. May be bypassed using day bypass switch inside control panel. An open on this loop will be indicated by the day sonalert or L.E.D. on to show bypassed.
Terminals 6-13	Instant loop - open protective circuit (mats, etc.)
Terminals 8-9	Sonalert - early warning indication for entrance - exit circuit. This sonalert will also indicate an open in the day loop. 8(+) 9(-)
Terminals 9-10	Burglary Bell Output. 10(+) 9(-)
Terminals 11-12	Spare contact that closes when burglary or panic circuit is tripped. Can be used for dialer, siren or any electrical circuit up to 3 amps.
Terminals 13-14	Instant loop - closed protective circuit - this circuit is not bypassable using day bypass switch.
Terminals 15-16	24 hour panic circuit: open circuit - a momentary closure will cause burglary bell to ring.
Terminals 16-17	Spring loaded open key switch or open circuit push button (momentary closure) - used to switch unit on and off. This switch will also reset a panic alarm, by pressing the switch twice.
Terminals 18-19	Green L.E.D.: loop indicator - pulsing green: open day or instant loop, solid green: open delay loop. If green L.E.D. is pulsing or is solid green, you cannot set the unit to the armed condition, eliminates false alarms use L.E.D. style remotes only. Red L.E.D.: indicates status of system - red L.E.D. on indicates system is armed. Pulsing red L.E.D. - unit has tripped (red L.E.D. will continue to pulse even if loop has been restored or unit has cut-off (recycled). Use L.E.D. style remotes only: ie 601L

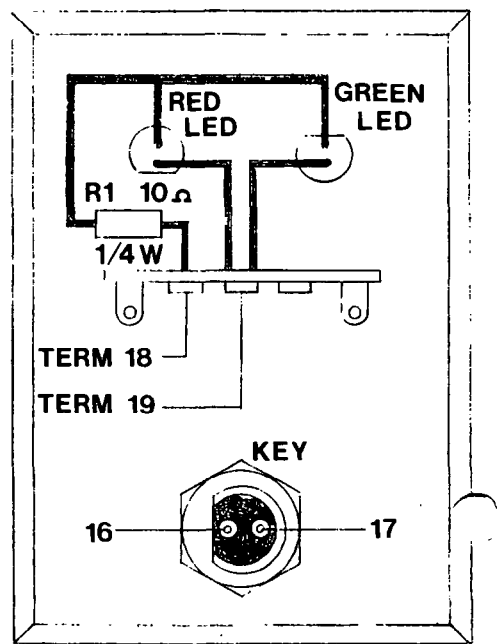
**1235**



**FIG 1**



MODEL 621M, 626, 610



MODEL 601W, 601WM, 602W

**Exit Entrance Adjustment Procedure:**

1. Turn exit pot towards the top of the board.
2. Turn entrance pot towards the bottom of the board.
3. Test delay loop by putting a voltmeter or sonalert on terminals 8 & 9. Close both the protective and delay loops and set the system to the "armed" condition. Now open the delay door or remove connection to terminal 5. 5-6 volts should appear on terminals 8 and 9 or the sonalert should sound. This indicates that the delay loop is operating properly.
4. Exit time is set for the desired delay period by turning the pot towards the bottom of the board. A  $\frac{1}{4}$  turn of the pot is about 20-30 seconds. Start timing the exit delay as soon as the system is "armed". Now open the delay door or remove the connection to terminal 5. Once again wait for 5-6 volts to appear on terminals 8 and 9 or the sonalert to sound. This period is the exit time. Should more time be required, repeat this procedure.
5. Entrance time: From the time the sonalert comes on as described in step 4, or as 5-6 volts appear on terminals 8 & 9, to the time the bell rings is the entrance time, with the pot turned towards the bottom of the board, the entrance time is set for maximum. To decrease the time, turn the pot towards the top of the board.

**Bell Cut Off/Recycle Adjustment Procedure**

Jumpers J1 J2 and J3 are for the bell cut off/recycle time

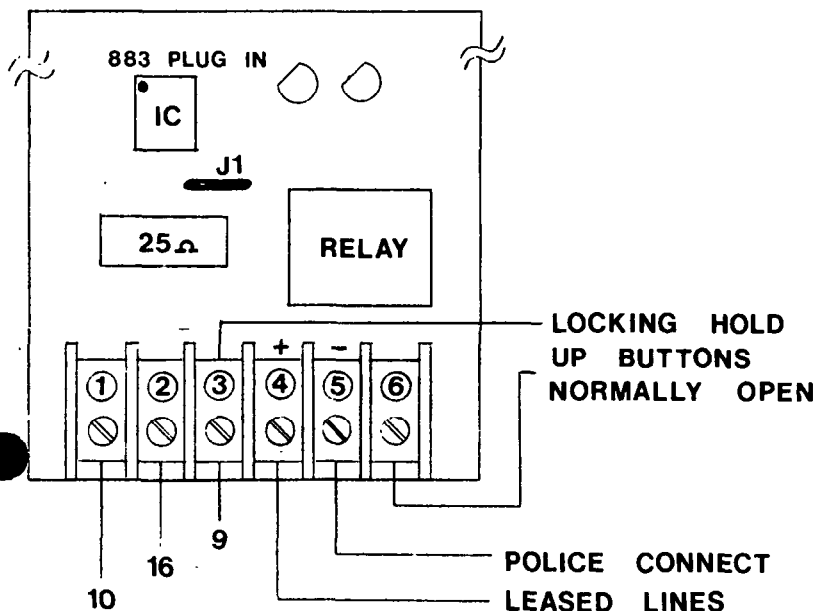
J1 - 4-5 minutes                      J2 12-18 minutes                      J3 12-18 minutes

With more than 1 jumper cut the time will add up (example J1 J2 16-23 minutes)

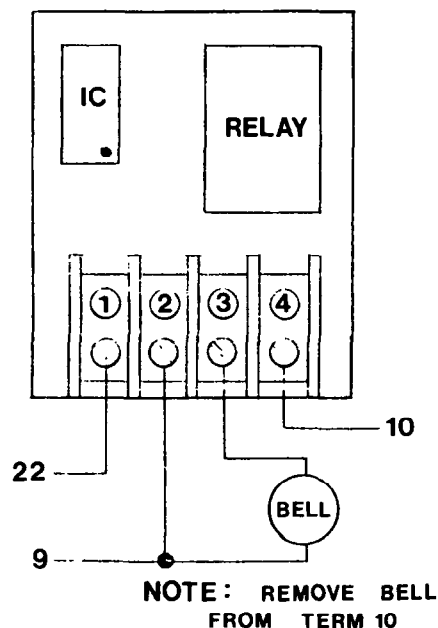
If the loop closed (instant, delay or day) the bell will stop and the system will recycle. If the loop remains open, the bell will stop but the system will not recycle until the loop is restored. With the loop open and the bell cut-off, the secondary back-up system is now active. A closure on this circuit will cause the alarm to activate.

**1232 POLICE CONNECT MODULE**

WHEN USING 30 SECOND DELAY  
OPTION 883 CUT JUMPER J1



**1281 PULSATING BELL MODULE FOR FIRE**



Terminals 20-22	Fire Horn output will sound in event of fire when fire option #1233 is used 20 (-) 22 (+)
Terminals 20-23	Smoke Detector output - continuous voltage for powering smoke detectors may be reset using normally closed fire reset button (666) wired to terminals 23 & 24.
Terminals 20-24	Continuous 12 volt power 20 (-) 24 (+) will not be interrupted by reset button on terminals 23 & 24.
Terminals 21-23	Open fire circuit: active only when fire option #1233 is used. A closure on this circuit will cause spare contact 25 & 26 to close. A voltage will appear on terminals 20 & 22.
Terminals 23-24	Remote fire reset: wire a normally closed push button (#666) to these terminals. An opening of this circuit will cause the fire circuit, fire horn, and/or smoke detectors to reset.
Terminals 25-26	Spare contact that closes when fire circuit is tripped can be used for dialer, siren or any electrical circuit up to 3 amps.
Loose Wires:	<p><u>Red and Black Wires</u></p> <p>Dry cell operation cut jumpers as shown on Fig. 1 rechargeable battery use as shipped</p> <p><u>Red</u> - connect to positive of battery cut clip for dry cell</p> <p><u>Black</u> - connect to negative of battery cut clip for dry cell</p>
Panel Switches:	<p><u>Instant - Delay:</u></p> <ol style="list-style-type: none"> <li>1. With the switch in the instant position, the delay circuit will now act as an instant circuit. With the unit armed, any violation of the delay circuit will trip the alarm instantly.</li> <li>2. With the switch in the delay position, the delay circuit will act as a delay circuit. When the system is armed you now have the set times for entry and exit.</li> </ol> <p><u>Aux Zone</u></p> <p>With the switch in the bypass position the day loop may be opened without the day sonalert sounding. A L.E.D. indicator of the bypass mode is wired between terminals 3 &amp; 7 to monitor the position of the switch.</p>
AC Panel Light	Yellow LED is lit when AC is on