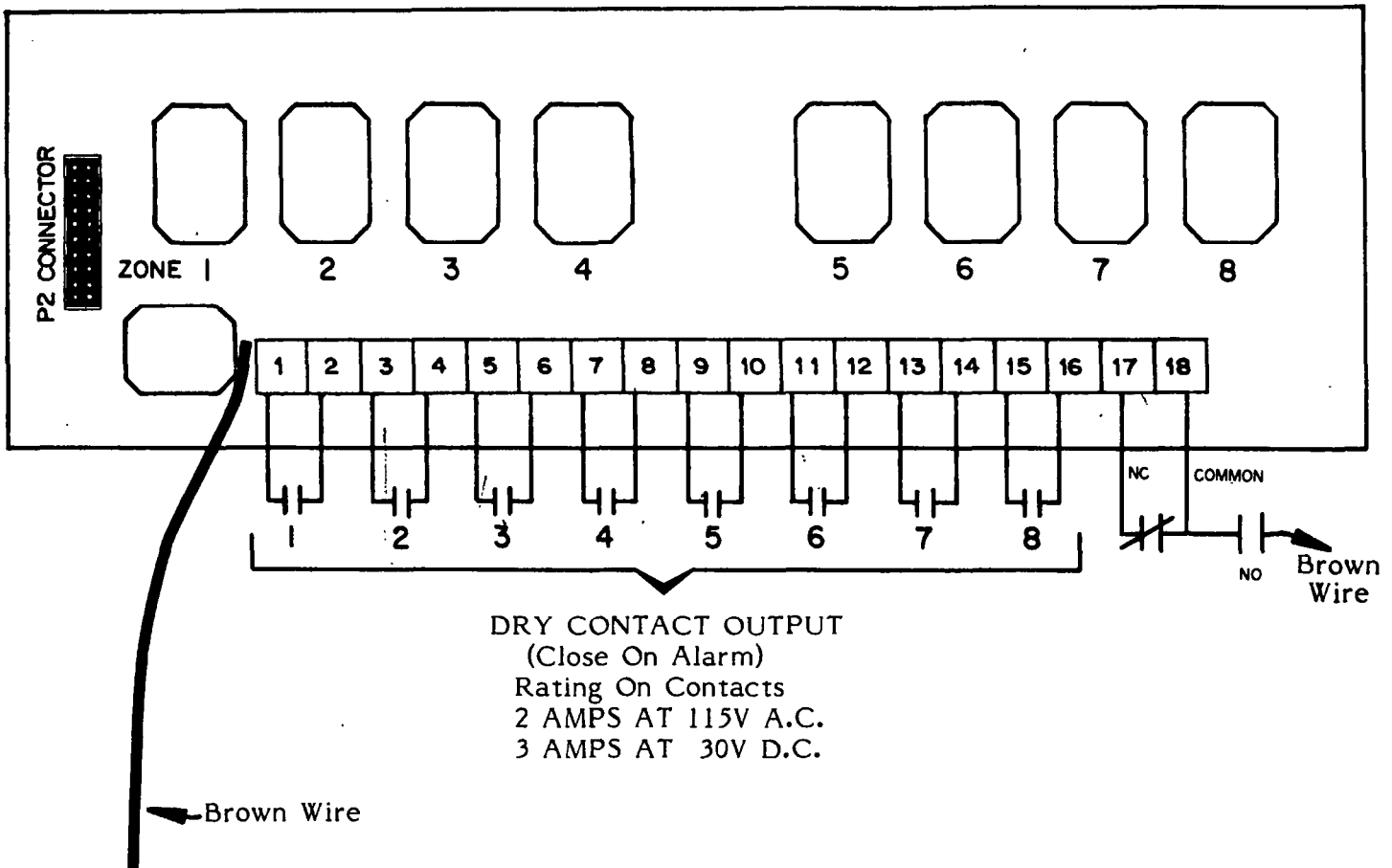


The Model 1041UL is an optional relay board that provides dry contacts, that close on alarm, for the eight individual zones. The resetting of zone relays after activation, is on disarm.

Terminals 17, 18, & Brown Wire are form C contacts activated on arm/disarm. (Open/Close)

A ribbon cable is also provided for connection to main 1040 board.

FIG. 1



MODEL 1041UL HOOK-UP TO MODEL 1040UL

FIG. 2

