

Fire Burglary Instruments, Inc.

50 Engineers Road, Hauppauge, New York 11787



INSTALLATION INSTRUCTIONS

Remember... "We do what they don't"

The Model 1042 is a remote keypad with L.E.D. for Model 1040 8-zone panel. The L.E.D. is lit when the 1040 is armed. The keypad is used to arm/disarm and set ambush on the 1040.

INSTALLATION:

Run 8 wires from the 8-terminal strip on the 1042 to the corresponding terminal strip on the 1040, connecting terminals 1 to 1, 2 to 2 and so on.

PROGRAMMING THE KEYPAD: See FIG. 1

FIG. #1

JUMPER DIGIT COLOR CODE

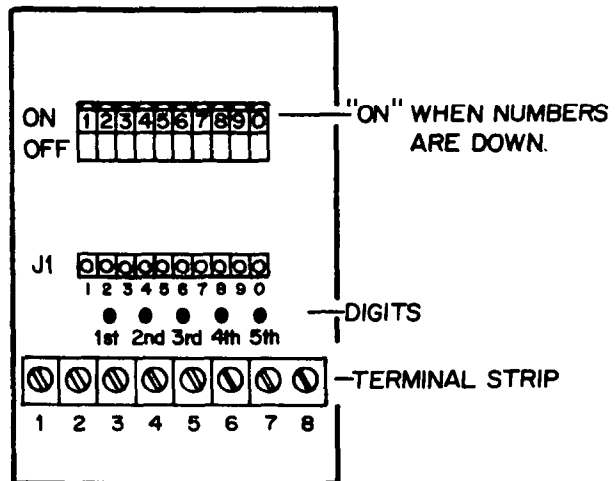
1st Digit — Brown

2nd Digit — Red

3rd Digit — Orange

4th Digit — Yellow

5th Digit — Green



Each keypad can have its own code, regardless of the code set at the panel or at other keypads.

Set all switches on (numbers down). Select the desired code. For example: 4-6-8-9-0. The 1st, 2nd, 3rd, 4th and 5th digits make up the ambush code; the 1st, 2nd, 3rd and 5th, the arm/disarm code. Plug the 1st digit jumper wire into the receptacle slot marked with the 1st digit in the code. Set the corresponding switch so the number is up, for example: 4. Repeat for the wire and switch for the 2nd, 3rd, 4th and 5th digits.

NOTE: When not using ambush, make sure 4th digit switch remains down.

TEST:

Start out with the 1040 armed. (The loops must be closed or bypassed.) The green L.E.D.'s on the 1040 and the 1042 should be on. Key in the arming code. Both lights should go out. Key in the code again. The lights should go on. Now key in the ambush code. The police connect relay in the 1040 should pull in on the 4th digit. The L.E.D.'s should go out on the 5th digit. When arming the system from the 1042, if the green L.E.D. does not light, you must return to the control panel to check for a violated loop (loop lock-out).