

Fire Burglary Instruments Inc.

999 A STEWART AVE.
GARDEN CITY, N.Y. 11530
516-222-9030

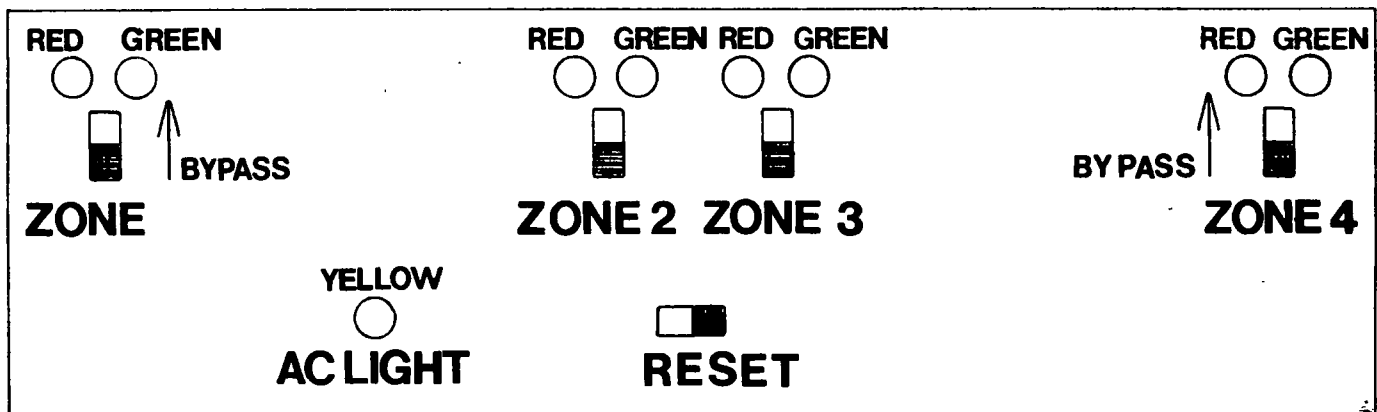
ZONE ADAPTOR

MODELS: 1020 & 1020-12, 1024 & 1034

(Each module is 4 zones expandable to
12 zones using cabinets)

A completely new concept in zone adaptors. These adaptors can be used as master units with their own power supplies or as slave units powered from a control instrument. Adaptors can be used to zone central station equipment. 6 or 12 volt operation (specify voltage) for powered models.

I. Internal swingout chassis or brushed aluminium plate



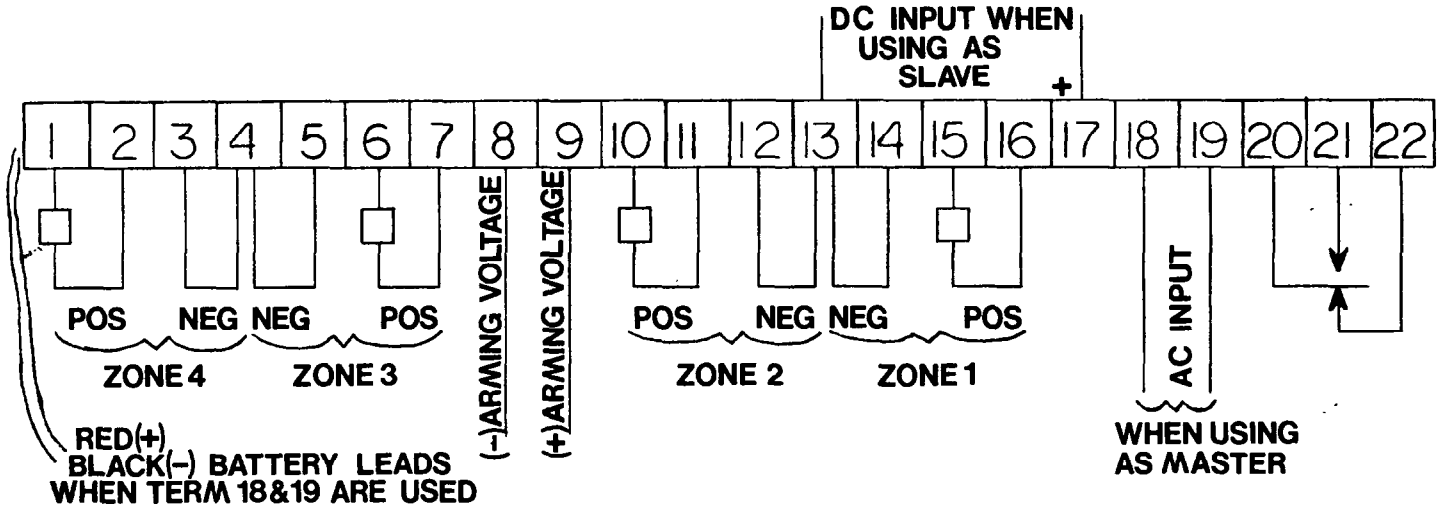
TERMINALS	FUNCTION	DESCRIPTION
1-2	<u>Zone 4</u> Protective Loop Positive	Wire closed circuit contacts in series and place protective loop on these terminals.
3-4	<u>Zone 4</u> Protective Loop Negative	Neg. loop or ground loop no contacts. Closed circuit.
6-7	<u>Zone 3</u> (Pos.)	Same as 1-2
4-5	<u>Zone 3</u> (Neg.)	Same as 3-4
10-11	<u>Zone 2</u> (Pos.)	Same as 1-2
12-13	<u>Zone 2</u> (Neg.)	Same as 3-4
15-16	<u>Zone 1</u> (Pos.)	Same as 1-2
13-14	<u>Zone 1</u> (Neg.)	Same as 3-4
8	(-) Arming Voltage	When (-) voltage is applied unit is armed.
9	(+) Arming Voltage	When (+) voltage is applied unit is armed.

NOTE: Connections are made to either 18-19 or 17-13. Do not use both sets of terminals. (only use both when using multiple hook-ups)

REMEMBER ... "WE DO WHAT THEY DON'T"

ISSUE C
DATE 8/16/78

WIRING DIAGRAM



*SHORT BLACK WIRE - COLD WATER GROUND

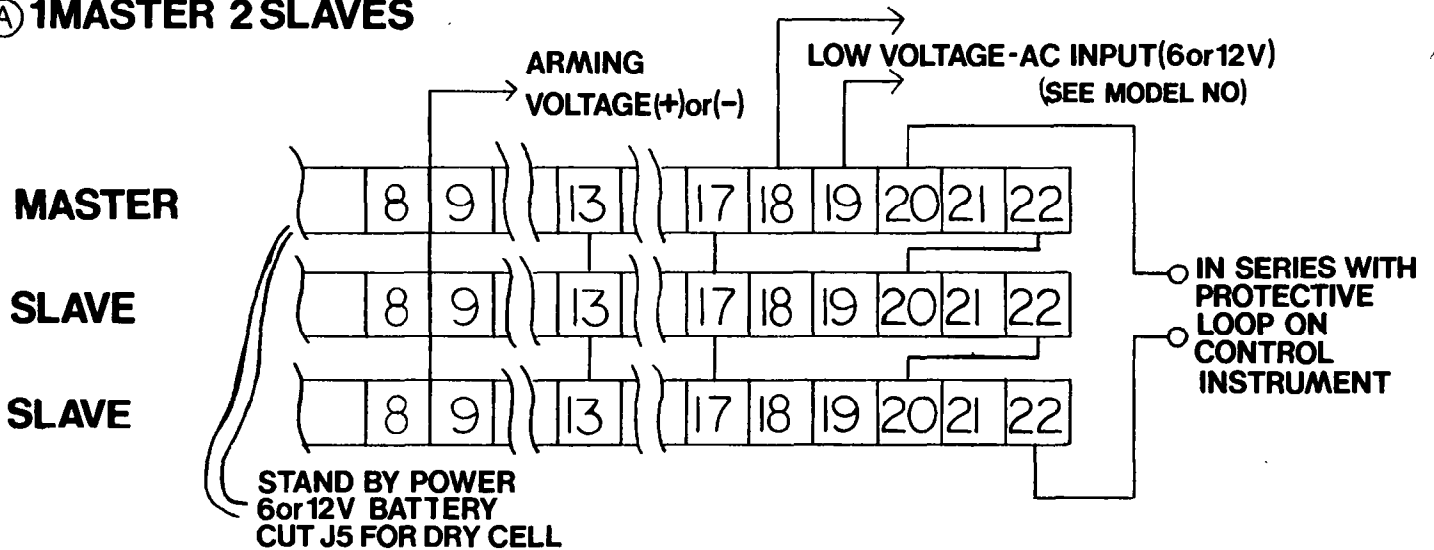
(SLAVE) COMMON (MASTER)	UNPOWERED SERIES	ARMING VOLTAGE		POWER		OUTPUT				
		8	9	DC 13	17	OR 18	AC 19	20	22	21
600/650		24		14	15	6V MODELS USE 871 TRANSFORMER	17	18		
604/654			11	4	8		12	13		
675		11		6	10		3	4		
700		CALL FACTORY								
800/850			4th POS WAFER SWITCH	8	RT HOLD UP TERM		3	4		
875				8	14		5	6		
1200/1250			10	6	8	12V MODELS USE 1271 TRANSFORMER	3	4		
1204/1254			11	4	8		12	13		
1230			21	10	12		5	6		
NOTE. When using a master zone adaptor with any of the above controls a common circuit ground is needed. [IE: 600/650 with 1020 - connect 14 of 600/650 to 13 of 1020.]										

UL REQUIREMENTS FOR STANDBY POWER

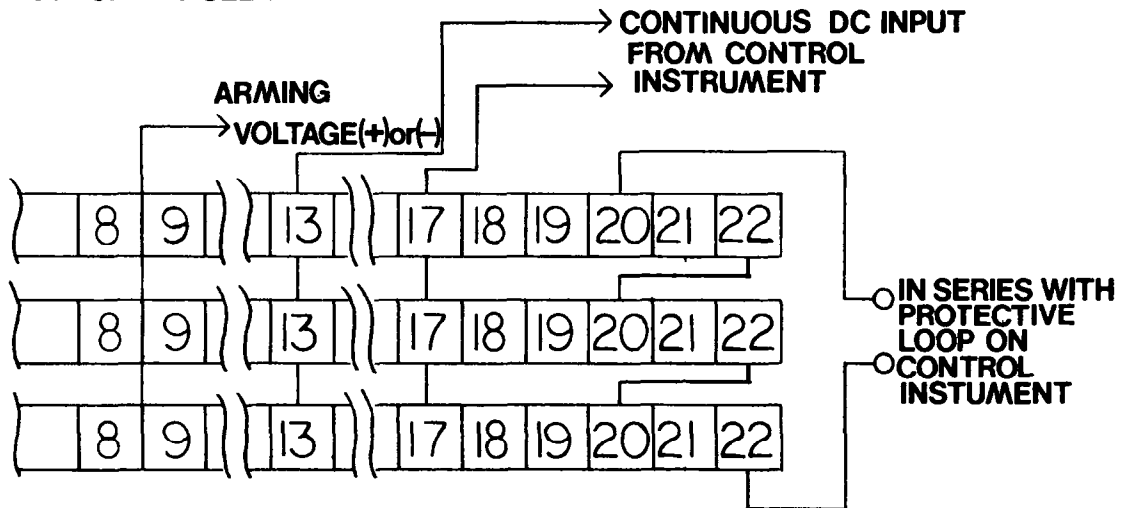
- Up to 12 zones may be used in conjunction with the 875 and no additional standby power is required.
- If adding either a 511 or 525 to the system, as outlined in 1, no additional standby power is required. Should both a 511 and 525 be added you must increase standby power from 6v 2.6 amp hour to 6v 3.6 amp hour.
- If using any other manufacturers UL panel you must use a master zone adaptor, with its own power supply and standby battery.
- Dry cell requirements: 6v/2.6 amp. hour or greater

MULTIPLE HOOK-UPS

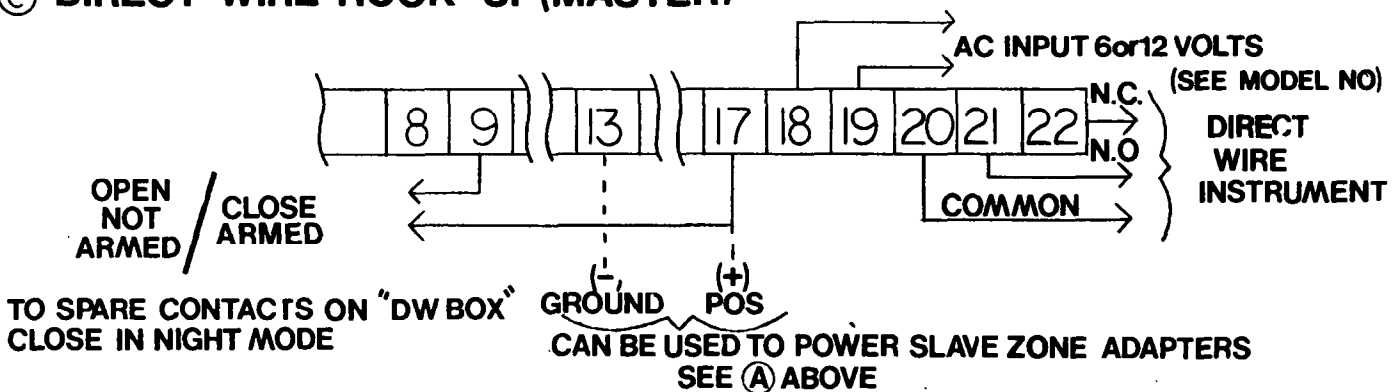
(A) 1 MASTER 2 SLAVES



(B) 3 SLAVES



(C) DIRECT WIRE HOOK-UP (MASTER)



- (Notes)
- (1) Each 4 zone adaptor draws approx. .300 ma.
 - (2) Each 4 zone adaptor may be armed & disarmed independently or in sets of 4. **ZONE OR 1 SLAVE**
 - (3) Separate reset switch for each set of 4 zones.