

# ADDENDUM TO: INSTALLATION INSTRUCTIONS

for

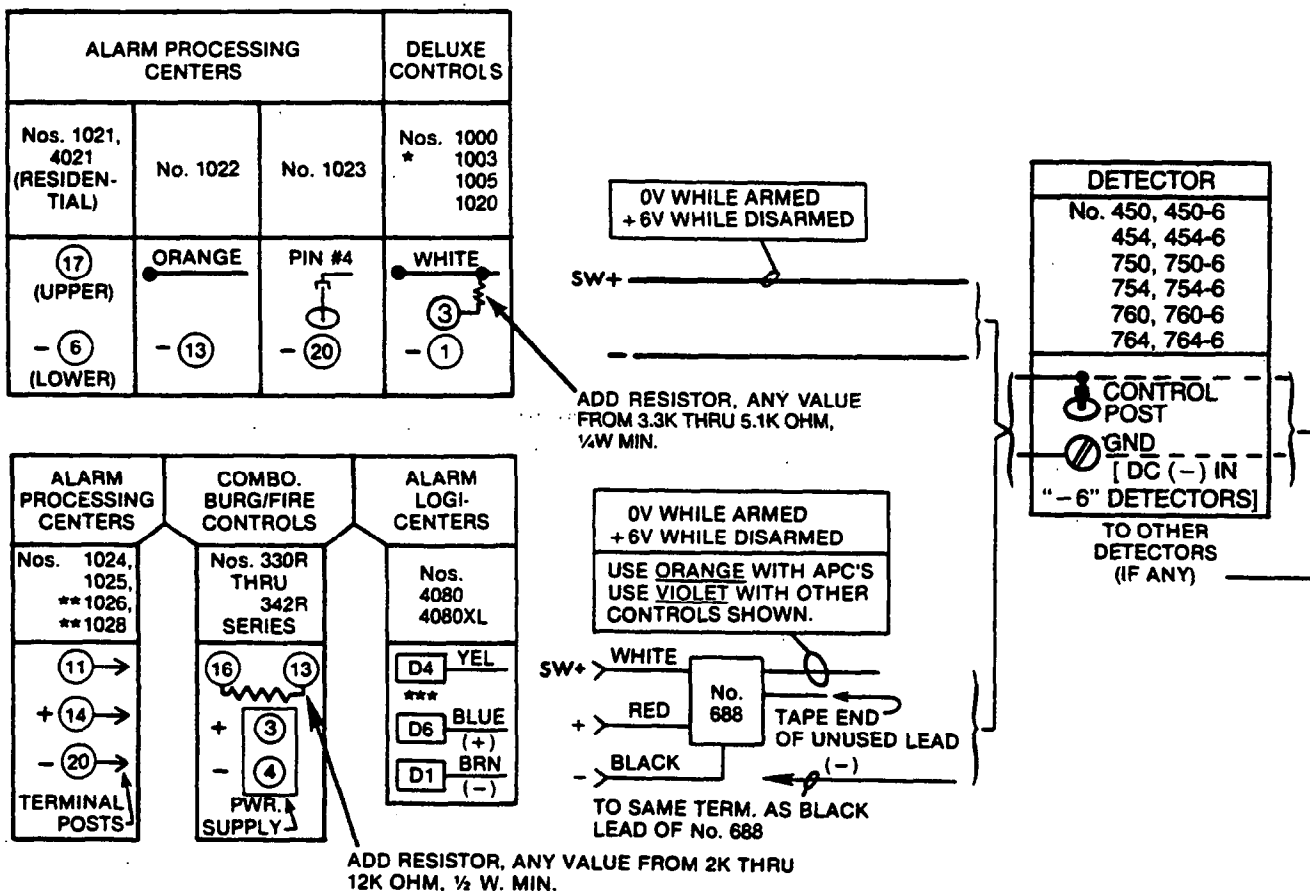
Nos. 450, 450-6, 450-12  
 454, 454-6, 454-12  
 750, 750-6, 750-12  
 754, 754-6, 754-12  
 760, 760-6, 760-12  
 764, 764-6, 764-12

## ULTRASONIC MOTION DETECTORS

### RE: SOURCES OF SWITCHED (+) CONTROL VOLTAGE SIGNAL FOR OPTIONAL OPERATING MODES

The attached diagram should be substituted for Diagram 5 in the accompanying installation instructions. It has been expanded to include information for newer controls and also contains changed information relating to Nos. 4080 and 4080-12 Alarm LogiCenters.

Note that AC powered detectors (Nos. 450, 454, 750, 754, 760, 764) may obtain DC control signals from 12 volt controls as well as from 6 volt controls.



\*, \*\*, \*\*\*: SEE OTHER SIDE



ALARM DEVICE MANUFACTURING CO.  
 A DIVISION OF PITTMAY CORPORATION  
 165 Eileen Way, Syosset, New York 11791

P8584XX 3/83

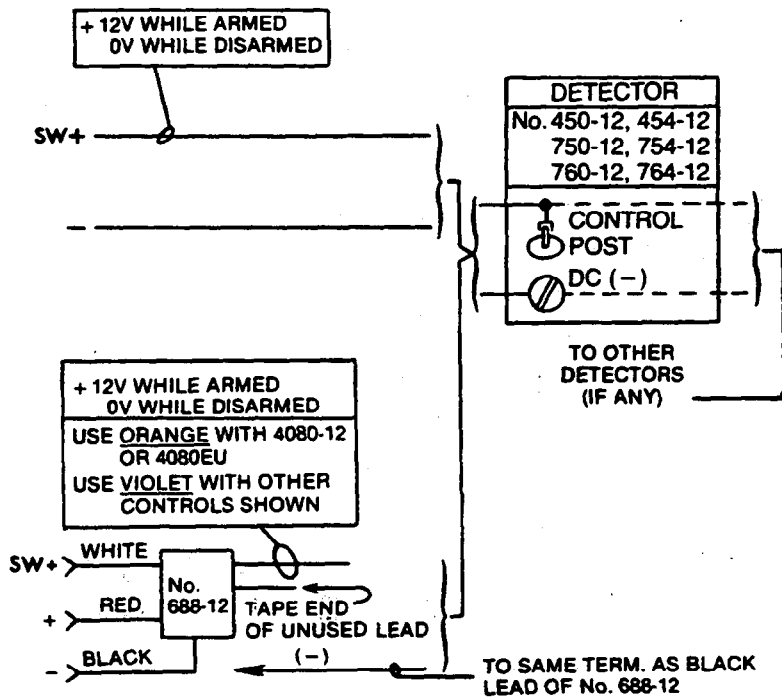
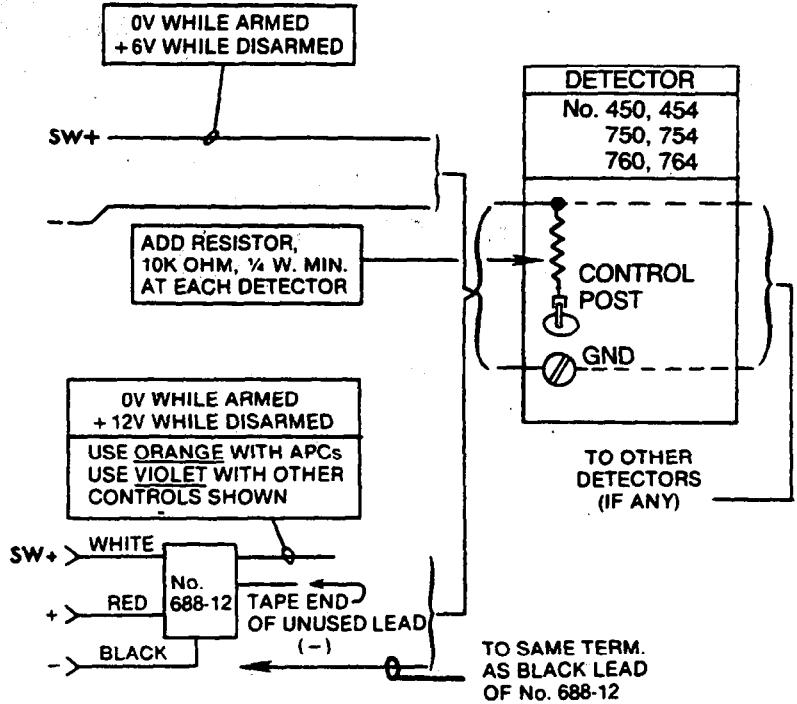
Copyright © 1983 PITTMAY CORPORATION

ALARM PROCESSING CENTERS		
Nos. 1021-12, 4021-12 (RESIDENTIAL)	No. 1023-12	No. 1022-12
(17) (UPPER) - (6) (LOWER)	PIN #4 	ORANGE 
	- (20)	- (13)

APCs	ALARM LOGICENTERS	
Nos. 1025-12, 1025EX12	Nos. 4080-12, 4080EU	No. 4090
(11) →	D4 YEL ***	(A6)
+ (14) →	D6 BLUE (+)	+ (C2)
- (20) →	D1 BRN (-)	- (C13)

ALARM PROCESSING CENTERS	ALARM LOGI-CENTER	
Nos. 1021-12, 4021-12 (RESIDENTIAL)	No. 1023-12	No. 4090
(16) (UPPER) - (6) (LOWER)	PIN #3 	(A6) - (C13)

ALARM PROCESSING CENTERS	ALARM LOGI-CENTERS	
No. 1022-12	Nos. 1025-12, 1025EX12	Nos. 4080-12, 4080EU
ORANGE	(11) →	D4 YEL ***
+ (14)	+ (14) →	D6 BLUE (+)
- (13)	- (20) →	D1 BRN (-)



\*Nos. 1000, 1003, 1005, 1020: These controls may be used to provide DC power as well for "- 6" type detectors, only if a power source, such as a No. 492 or 493 (or 487 or 488 type) Power Supply is used for the control.

\*\*Nos. 1026, 1028: These controls may not be used to provide 6V. DC power for "- 6" type detectors. A separate power source, such as a No. 492 or 493 (or 487 or 488 type) Power Supply would be required for detector power.

\*\*\*Nos. 4080, 4080XL, 4080-12, 4080EU: Terminal D4 output is a closing supplementary output trigger (+ 6V) which is produced at arming time only subsequently to the opening and closing of the entry/exit delay door.

Diagram 5: TYPICAL SOURCES OF SWITCHED(+) CONTROL VOLTAGE SIGNAL FOR OPTIONS