

LYNX

Security System

Programming Form & Summary of Connections

ALPHA DRAFT

June 5, 1998

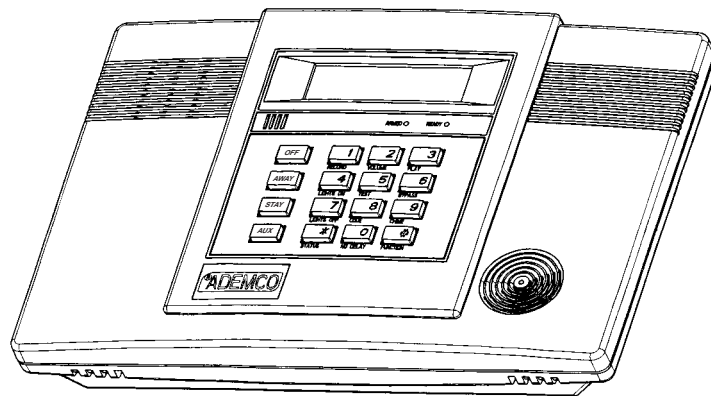


TABLE OF CONTENTS

DATA FIELDS	3
*56 ZONE PROGRAMMING	8
*80 POWERLINE CARRIER DEVICE PROGRAMMING.....	9
*81 ZONE LISTS	10
*83 SEQUENTIAL MODE	10
*84 ASSIGN ZONE VOICE DESCRIPTORS	11
VOCABULARY INDEX (for *84 Assign Zone Voice Descriptors)	11
*85 RECORD CUSTOM VOICE DESCRIPTORS	11
*56 ZONE PROGRAMMING WORKSHEET	12
POWERLINE CARRIER DEVICE WORKSHEET FOR *80 and *81	14
5800 SERIES TRANSMITTER LOOP DESIGNATIONS DIAGRAM	15
SPECIAL MESSAGES	15
LYNX SUMMARY OF CONNECTIONS DIAGRAM	16

Refer to the Installation Instructions for detailed information on programming the LYNX system, including full descriptions of all data fields.

TO ENTER PROGRAMMING MODE:

1. Power up, then depress [*****] and [**#**] both at once, within 50 seconds of powering up.
OR
2. For factory defaulted system, enter: **Installer Code (4 + 1 + 1 + 2)** plus **8 + 0 + 0**. OR
If different **Installer Code** is programmed, enter: **New Installer Code + 8 + 0 + 0**.
(if *98 was used to exit previously, method 1 above must be used to enter the program mode again)
3. Upon entry into Program mode, data field *20 will be displayed (the first data filed in the system) and both keypad LEDs will flash.

TO PROGRAM THE DATA FIELDS:

1. Press [*****] followed by the desired field number (e.g., *21), then make the required entry.
2. The keypad beeps three times after entering data, then displays the next data field in sequence.
3. For phone number and account number fields, press [*****] to end the entry if less than number maximum number of digits is entered.
4. To delete an entry, simply press [*****] plus that field number and reenter the correct data. For phone number and account number fields *40-*44 and *94, press [*****] + field number + [*****].

INTERACTIVE MENU MODES:

There are six interactive menu modes as listed below. To enter these modes, first enter Program mode. While in Program mode, press [*****] plus the mode number desired (e.g., *56).

- *56 Zone Programming For programming zone characteristics, report codes, etc.
- *80 Device Programming For programming Powerline Carrier Devices
- *81 Zone List Programming For programming zone lists for use with Powerline Carrier Devices
- *83 Sequential Mode For entering transmitter serial numbers
- *84 Assign Zone Voice Descriptors..... For assigning voice descriptors to zones
- *85 Record Custom Voice Descriptors..... For recording custom voice descriptors

TO LOAD A DEFAULT SET:

While in Program mode, press *97, then enter a number 1-5 corresponding to the default table desired. See the Installation Instructions for the default tables. Enter 0 to exit *97.

TO EXIT PROGRAMMING MODE:

- *98 Exits programming mode and *prevents* re-entry by: Installer Code + 8 + 0 + 0. If *98 is used to exit programming mode, system must be powered down, then press [*****] and [**#**] within 50 seconds of power up to re-enter programming mode.
- *99 Exits programming mode and *allows* re-entry by: Installer Code + 8 + 0 + 0 or: Power-up, then press [*****] and [**#**] within 50 seconds of power up.

LYNX

DATA FIELDS

Field	Function	Programmed Values	[] = Table 1 Default Values
SYSTEM SETUP (★ 20– ★ 30)			
★20	INSTALLER CODE	<input type="text"/> <input type="text"/> <input type="text"/> <input type="text"/> [4112] Enter 4 digits, 0–9	
★21	QUICK ARM ENABLE	<input type="text"/> † [1] 0 = no; 1 = yes	
★22	KEYPAD BACKLIGHT TIMEOUT	<input type="text"/> [0] 0 = none (backlighting always on); 1 = backlight off after 10secs	
★23	FORCED BYPASS	<input type="text"/> † [0] 0 = none; 1 = bypass open zones UL installations = 0	
★24	RF HOUSE ID CODE	<input type="text"/> <input type="text"/> [10] 00 = disable all wireless keypad usage; 01–31 = 5827house ID	
★25	POWERLINE CARRIER DEVICE HOUSE CODE	<input type="text"/> [0] 0 = A; 1 = B, 2 = C, 3 = D, 4 = E, 5 = F, 6 = G, 7 = H, 8 = I, 9 = J, #10 = K, #11 = L, #12 = M, #13 = N, #14 = O, #15 = P	
★26	CHIME BY ZONE	<input type="text"/> † [1] 0 = no; 1 = yes (program zones to chime on zone list 3)	
★27	REAL TIME CLOCK DISPLAY	<input type="text"/> † [1] 0 = no; 1 = yes, display time on keypad	
★29	DAYLIGHT SAVING TIME START/END MONTH	<input type="text"/> <input type="text"/> [4, 10] Start End 1-9, #+10,#+11,#+12. Enter 0,0 if no daylight savings time used.	
★30	DAYLIGHT SAVING TIME START/END WEEKEND	<input type="text"/> <input type="text"/> [1,5] Start End 0 = disable; 1=first; 2=second; 3=third; 4=fourth; 5=last; 6=next to last; 7=third from last	
ZONE SOUNDS AND TIMING (★ 31– ★ 39)			
★31	SINGLE ALARM SOUNDING/ZONE	<input type="text"/> † [0] 1 = yes, limit once per arming period; 0 = no limit; UL installations = 0	
★32	FIRE SOUNDER TIMEOUT	<input type="text"/> † [0] 0 = timeout; 1 = no timeout	
★33	ALARM BELL TIMEOUT	<input type="text"/> † [1] 0 = none; 1=4 min; 2=8 min; 3=12 min; 4 = 16 min; UL installations = 1 (4 min) minimum	

† Entry of a number other than one specified will give unpredictable results.

Field	Function	Programmed Values	[] = Table 1 Default Value
★43	PRIMARY SUBS ACCT #	<input type="text"/> <input type="text"/> <input type="text"/> <input type="text"/>	See note on previous page
★44	SECONDARY SUBS ACCT #	<input type="text"/> <input type="text"/> <input type="text"/> <input type="text"/>	See note on previous page
★47	PHONE SYSTEM SELECT	<input type="text"/> † [1]	If Cent. Sta. <i>IS NOT</i> on a WATS line: 0 = Pulse Dial; 1 = Tone Dial; if Cent. Sta. <i>IS</i> on a WATS line: 2 = Pulse Dial ; 3 = Tone
★48	REPORT FORMAT	<input type="text"/> <input type="text"/> [7, 0]	Primary Secondary
	0 = 3+1, 4+1 ADEMCO L/S STANDARD 1 = 3+1, 4+1 RADIONICS STANDARD 2 = 4+2 ADEMCO L/S STANDARD 3 = 4+2 RADIONICS STANDARD		6 or undefined = 4+2 ADEMCO EXPRESS 7 = ADEMCO CONTACT ID REPORTING 8 = 3+1, 4+1 ADEMCO L/S EXPANDED 9 = 3+1, 4+1 RADIONICS EXPANDED
★49	SPLIT/DUAL REPORTING	<input type="text"/> [0]	0 = Disable (Backup report only)
		TO PRIMARY PHONE No. 1 = Alarms, Restore, Cancel 2 = All except Open/Close, Test 3 = Alarms, Restore, Cancel 4 = All except Open/Close, Test 5 = All	TO SECONDARY PHONE No. Others Open/Close, Test All All All
** Pager Message	A 7-digit code (plus optional 16-digit prefix) is sent to the pager consisting of a 3-digit event code, followed by 00 and a 2-digit user or zone number. See Installation Instructions for an explanation of the pager code, which takes the following form: AAAAAAAAAAAAAAAA-EEE-00NN	TO PRIMARY PHONE No. 6 = All except Open/Close 7 = All reports 8 = All reports 9 = All except Open/Close	TO PAGING No. (Secondary) ** Alarms, Open/Close, Troubles ** Alarms, Troubles ** Alarms, Open/Close, Troubles ** Open/Close for users 5-8 or wireless arm/disarm button zones 34-41, users 1-4 and buttons 26-33 do not send open/close.
Where:	AAA... = optional 16 digits (see field *88) EEE = 3-digit event code: 911 (alarm), 101 (open), 102 (close), 811 (trouble) 00 = always displayed NN = 2-digit user number or zone number depending on type of event (EEE) that occurred		
★50	15 SEC DIALER DELAY (BURG)	<input type="text"/> † [0]	0 = no; 1 = yes; UL installations = 0
★51	PERIODIC TEST REPORT	<input type="text"/> † [0]	0 = none; 1 = 24 hours; 2 = weekly; 3 = 30 days (enter Test Code in field *64)
★52	FIRST TEST REPORT OFFSET	<input type="text"/> † [2]	0 = 24 hour; 1 = 6 hours; 2 = 12 hours; 3 = 18 hours (Time to 1st report from power up/programming or downloading).
★53	SESCOA/RADIONICS SELECT	<input type="text"/> [0]	0 = Radionics (0-9, B-F reporting); 1 = SESCOA (0-9 only reporting). Select 0 for all other formats.
★ 56	ZONE PROGRAMMING		See procedure later in this form and refer to the Installation Instructions.

† Entry of a number other than one specified will give unpredictable results.

TO PROGRAM SYSTEM STATUS, & RESTORE REPORT CODES (*59–*76, & *89):

With a 3+1 or 4+1 Standard Format: Enter a code in the *first* box: 1–9, 0, B, C, D, E, or F. Enter "#+10" for 0, "#+11" for B, "#+12" for C, "#+13" for D, "#+14" for E, "#+15" for F.

A "0" (*not* "#+10") in the *first* box will disable a report.

A "0" (*not* "#+10") in the *second* box will result in automatic advance to the next field when programming.

With an Expanded or 4+2 Format: Enter codes in *both* boxes (1st and 2nd digits) for 1–9, 0, or B–F, as described above. A "0" (*not* "#+10") in the *second* box will eliminate the expanded message for that report.

A "0" (*not* "#+10") in *both* boxes will disable the report.

With Ademco Contact ID Reporting: Enter any digit (other than "0") in the *first* box, to enable zone to report (entries in the *second* boxes will be ignored).

A "0" (*not* "#+10") in the *first* box will disable the report.

Examples: For Code **3** (single digit), enter:

3	0
---	---

For Code **3 2** (two digits), enter:

3	2
---	---

For Code **B 2** (Hexadecimal), enter:

#+11	2
------	---

SYSTEM STATUS REPORT CODES (*59–*68) Default for all report codes = [00]

Field	Function	Programmed Values	[] = Table 1 Default Value		
*59	EXIT ERROR REPORT CODE	<table border="1" style="display: inline-table; vertical-align: middle;"><tr><td style="width: 20px; height: 20px;"></td><td style="width: 20px; height: 20px;"></td></tr></table>			2nd digit is automatically sent as 2nd digit of the zone alarm report code programmed in *56, if expanded or 4+2 reporting is selected.
*60	TROUBLE REPORT CODE	<table border="1" style="display: inline-table; vertical-align: middle;"><tr><td style="width: 20px; height: 20px;"></td><td style="width: 20px; height: 20px;"></td></tr></table>			
*61	BYPASS REPORT CODE	<table border="1" style="display: inline-table; vertical-align: middle;"><tr><td style="width: 20px; height: 20px;"></td><td style="width: 20px; height: 20px;"></td></tr></table>			
*62	AC LOSS REPORT CODE	<table border="1" style="display: inline-table; vertical-align: middle;"><tr><td style="width: 20px; height: 20px;"></td><td style="width: 20px; height: 20px;"></td></tr></table>			
*63	LOW BAT REPORT CODE	<table border="1" style="display: inline-table; vertical-align: middle;"><tr><td style="width: 20px; height: 20px;"></td><td style="width: 20px; height: 20px;"></td></tr></table>			
*64	TEST REPORT CODE	<table border="1" style="display: inline-table; vertical-align: middle;"><tr><td style="width: 20px; height: 20px;"></td><td style="width: 20px; height: 20px;"></td></tr></table>			
*65	OPEN REPORT CODE	<table border="1" style="display: inline-table; vertical-align: middle;"><tr><td style="width: 20px; height: 20px;"></td><td style="width: 20px; height: 20px;">††</td></tr></table>		††	
	††				
*66	ARM AWAY/STAY RPT CODE	<table border="1" style="display: inline-table; vertical-align: middle;"><tr><td style="width: 20px; height: 20px;"></td><td style="width: 20px; height: 20px;">††</td></tr></table> AWAY STAY		††	(†† 2nd digit is automatically sent as the user number if expanded or 4+2 reporting is selected.)
	††				
*67	RF XMTR LOW BAT REPORT CODE	<table border="1" style="display: inline-table; vertical-align: middle;"><tr><td style="width: 20px; height: 20px;"></td><td style="width: 20px; height: 20px;"></td></tr></table>			
*68	CANCEL REPORT CODE	<table border="1" style="display: inline-table; vertical-align: middle;"><tr><td style="width: 20px; height: 20px;"></td><td style="width: 20px; height: 20px;"></td></tr></table>			

RESTORE REPORT CODES (*70–*76) Default for all restore report codes = [00]

*70	ALARM RESTORE RPT CODE	<table border="1" style="display: inline-table; vertical-align: middle;"><tr><td style="width: 20px; height: 20px;"></td><td style="width: 20px; height: 20px;"></td></tr></table>			2nd digit is automatically sent as 2nd digit of the zone alarm report code programmed in *56, if expanded or 4+2 reporting is selected.
*71	TROUBLE RESTORE RPT CODE	<table border="1" style="display: inline-table; vertical-align: middle;"><tr><td style="width: 20px; height: 20px;"></td><td style="width: 20px; height: 20px;"></td></tr></table>			
*72	BYPASS RESTORE RPT CODE	<table border="1" style="display: inline-table; vertical-align: middle;"><tr><td style="width: 20px; height: 20px;"></td><td style="width: 20px; height: 20px;"></td></tr></table>			
*73	AC RESTORE RPT CODE	<table border="1" style="display: inline-table; vertical-align: middle;"><tr><td style="width: 20px; height: 20px;"></td><td style="width: 20px; height: 20px;"></td></tr></table>			
*74	LOW BAT RESTORE RPT CODE	<table border="1" style="display: inline-table; vertical-align: middle;"><tr><td style="width: 20px; height: 20px;"></td><td style="width: 20px; height: 20px;"></td></tr></table>			
*75	RF XMTR LO BAT RST RPT CODE	<table border="1" style="display: inline-table; vertical-align: middle;"><tr><td style="width: 20px; height: 20px;"></td><td style="width: 20px; height: 20px;"></td></tr></table>			
*76	TEST RESTORE RPT CODE	<table border="1" style="display: inline-table; vertical-align: middle;"><tr><td style="width: 20px; height: 20px;"></td><td style="width: 20px; height: 20px;"></td></tr></table>			

OUTPUT AND SYSTEM SETUP (*80–*92)

- *80 POWERLINE CARRIER DEVICES Program *80 and *81 only if Powerline Carrier Devices or chime by zone are to be used. See procedure later in this manual.
- *81 ZONE LISTS FOR DEVICES
- *83 SEQUENTIAL MODE (Also entered from field *56): See procedure later in this manual.
- *84 ASSIGN ZONE VOICE DESCRIPTORS. See procedure later in this manual.
- *85 RECORD CUSTOM VOICE DESCRIPTORS. See procedure later in this manual.

IC

VOICE DESCRIPTOR

0 = Skip to next zone (A)

1 = Enter descriptor mode (existing zone descriptor will be announced, then descriptor 1 will be repeated)

Id vv

DESCRIPTOR 1

Enter [#] + 2-digit vocabulary index† number (vv) of first descriptor word for this zone.

6 = accept word and advance to descriptor 2 (descriptor 2 will be announced)

8 = accept word and advance to next zone (prompt A) – zone descriptor will be announced

Press any other key to repeat the selected word

IE vv

DESCRIPTOR 2

Enter [#] + 2-digit vocabulary index† number (vv) of second descriptor word for this zone.

6 = accept word and advance to descriptor 3 (descriptor 3 will be announced)

8 = accept word and advance to next zone (prompt A) – zone descriptor will be announced

Press any other key to repeat the selected word

IF vv

DESCRIPTOR 3

Enter [#] + 2-digit vocabulary index† number (vv) of third descriptor word for this zone.

6 or 8 = accept word and advance to next zone (prompt A) – zone descriptor will be announced

Press any other key to repeat the selected word

† See *84 ASSIGN ZONE VOICE DESCRIPTORS section for Vocabulary Index.

***80 POWERLINE CARRIER DEVICE PROGRAMMING**

Use this mode to program Powerline Carrier Devices or zone lists for Chime by Zone feature. Press *80 while in programming mode. **NOTE:** Entry of a number other than one specified will give unpredictable results.

80

Powerline Carrier Device Programming

0 = Exit mode, upon which this prompt blinks. Press [*] + any field number to go to that field.

1 = Enter mode

A0 I

DEVICE NUMBER

Enter the 2-digit device number (01-08) to be programmed

[*] = Continue

00 = Exit Device Programming mode (displays blinking 80; enter * + desired data field or menu mode number)

b aa

DEVICE ACTION

Enter the 1-digit action, 0-3, for the device being programmed (current action is displayed).

0 = No response

3 = Pulse on and off

1 = Close for 2 seconds

[*] = Continue

2 = Close and stay closed

[#] = Return to previous prompt

C et

START EVENT TYPE (if applicable)

Enter the 1-digit start event type, 0-3, for the device being programmed.

0 = Not used

3 = Trouble

1 = Alarm

[*] = Continue

2 = Fault

[#] = Return to previous prompt

d zl

START ZONE LIST (if applicable)

Enter the 1-digit zone list number, 1-3, or 0 if not used, for the device being programmed.

[*] = Continue

[#] = Return to previous prompt

E zt

START ZONE TYPE (if applicable)

Enter the 2-digit start zone type for the device being programmed (see Powerline Carrier Device Worksheet for zone type/system operation codes later in this manual).

[*] = Continue

[#] = Return to previous prompt

F zl

STOP ZONE LIST (if applicable)

Enter the 1-digit zone list number, 1-3, or 0 if not used, for the device being programmed.

[*] = Continue

[#] = Return to previous prompt

IA zt

STOP ZONE TYPE (if applicable)

Enter the 2-digit stop zone type for the device being programmed (see Powerline Carrier Device Worksheet for zone type/system operation codes later in this manual).

[*] = Return to Device Number prompt (A)

[#] = Return to previous prompt

*81 ZONE LISTS

Use this mode to define zone lists for Powerline Carrier Devices and/or for the chime by zone feature. Press *81 while in programming mode. **NOTE:** Entry of a number other than one specified will give unpredictable results.

8 I

ZONE LIST PROGRAMMING

0 = Exit mode, upon which this prompt blinks. Press [*] + any field number to go to that field.
1 = Enter mode

A 01

ZONE LIST NUMBER

Enter the 2-digit zone list number (01-03) to be programmed (use zone list 03 for chime by zone feature).
[*] = Continue
00 = Exit mode (displays blinking 81; enter * + desired data field or menu mode number)

b zz

ZONE ENTRY TO LIST

Enter the 2-digit zone number (zz) to be added to this zone list.
[*] = Accept zone number and enter the next zone number
00 = Accept zone number and continue to next prompt

C

DELETE ENTIRE ZONE LIST?

0 = Don't delete; continue to next prompt
1 = Delete the current zone list

d

DELETE SPECIFIC ZONES FROM LIST?

0 = Don't delete; continue to next zone list number (prompt A 01)
1 = Continue to delete zones prompt

E

DELETE ZONES

Enter the 2-digit zone number to be deleted from the current zone list
[*] = Delete zone and enter next zone to be deleted
00 = Return to next zone list number (prompt A 01)

*83 SEQUENTIAL MODE

Use this mode to enter transmitter serial numbers. Press *83 while in programming mode. **NOTE:** Entry of a number other than one specified will give unpredictable results.

A0 I

ZONE NUMBER

Enter the 2-digit zone number of the first transmitter to have its serial number entered.
[*] = Continue; system searches for zones not yet entered, then goes to ENROLL SERIAL NUMBER prompt (C)
00 = Exit Sequential mode, upon which the prompt "83" blinks. Press [*] + any field number to go to that field.

b zz

ENROLL ZONE?

0 = return to ZONE NUMBER prompt (A 01)
1 = yes, enter serial number for this zone

C

ENROLL SERIAL NUMBER

Enter the transmitter's 7-digit serial number (printed on the transmitter). If you enter an incorrect digit, press the [#] key to backup to that digit and reenter the correct digit.

When all 7 digits are entered, press the [*] key. Each digit will be re-displayed, and the keypad will beep once for digits 1-6, 3 times for the last digit. If less than 7 digits are entered, the un-entered digits will display "F." If too many digits have been entered, the first 6 digits will be saved, along with the last digit that was entered (entering 123456789 yields serial number 1234569).

If the serial number is correct, press [*] again to save it and go to next zone to be entered (prompt b).

If the serial number is not correct, press [#], which deletes the number and returns to the ENROLL MODE prompt (1A), allowing you to reenter the number.

*84 ASSIGN ZONE VOICE DESCRIPTORS

Use this mode to assign voice descriptors for each zone. These are the descriptors that are announced when the system announces any event involving a zone number. Press *84 while in programming mode. **NOTE:** Entry of a number other than one specified will give unpredictable results.

84

ASSIGN ZONE VOICE DESCRIPTORS

0 = Exit mode, upon which this prompt blinks. Press [*] + any field number to go to that field.
1 = Enter mode

A zz

ZONE NUMBER

Enter the 2-digit zone number (zz) for which this descriptor is being assigned.

[*] = Continue to next prompt (any existing descriptors will be announced, then descriptor 1 will be repeated.)

00 = Exit Zone Voice Descriptor mode (displays blinking 84; enter * + desired data field or menu mode number)

b vv

DESCRIPTOR 1

Enter [#] + 2-digit vocabulary index number of first descriptor word for this zone.

6 = accept word and advance to descriptor 2 (descriptor 2 will be announced)

8 = accept word and advance to next zone (prompt A....zz) – zone descriptor will be announced

Press any other key to repeat the selected word

C vv

DESCRIPTOR 2

Enter [#] + 2-digit vocabulary index number of second descriptor word for this zone.

6 = accept word and advance to descriptor 3 (descriptor 3 will be announced)

8 = accept word and advance to next zone (prompt A....zz) – zone descriptor will be announced

Press any other key to repeat the selected word

d vv

DESCRIPTOR 3

Enter [#] + 2-digit vocabulary index number of third descriptor word for this zone.

6 or 8 = accept word and advance to next zone (prompt A....zz) – zone descriptor will be announced

Press any other key to repeat the selected word

VOCABULARY INDEX

00 ½ sec pause	F	M	U
01 ALARM	14 FIRE	25 MAIN	40 UPSTAIRS
02 ATTIC	15 FLOOR	26 MASTER	41 UTILITY
	16 FRONT	27 MESSAGE	W
		28 MOTION	42 WINDOW
	G		Y
03 BABY	17 GARAGE	O	43 YARD
04 BACK	18 GUN	29 OFFICE	Z
05 BASEMENT			44 ZONES
06 BATHROOM	H	P	45 1 ST
07 BEDROOM	19 HALL	30 PATIO	46 2 ND
		31 POOL	47 3 RD
08 CHECK	I		
	20 INSIDE	R	70 Custom Word #1
	J	32 ROOM	71 Custom Word #2
09 DEN	K		72 Custom Word #3
10 DETECTOR	21 KITCHEN	S	73 Custom Word #4
11 DINING		33 SHED	74 Custom Word #5
12 DOOR	L	34 SHOP	99 Blank
	22 LAUNDRY	35 SIDE	(to erase previously
	23 LIBRARY	36 SLIDING	programmed word)
13 EMERGENCY	24 LIVING	37 SMOKE	
		38 STORAGE	
		39 SYSTEM	

SYSTEM WORDS

(Announced by system – not programmable)

AC LOSS
ARMED
AWAY
BYPASSED
CHIME
DISARMED
DISARM SYSTEM
NOW
EXIT NOW
FAULT
INSTANT
LOW BATTERY
NOT
READY TO ARM
STAY

*85 RECORD CUSTOM VOICE DESCRIPTORS

Use this mode to record up to 5 custom voice descriptors for use with zone announcements. Press *85 while in programming mode. **NOTE:** Entry of a number other than one specified will give unpredictable results.

85

RECORD CUSTOM VOICE DESCRIPTORS

0 = Exit mode, upon which this prompt blinks. Press [*] + any field number to go to that field.
1 = Enter mode

A d

CUSTOM DESCRIPTOR NUMBER

Enter 7 + d + [*], where d = 0-4, each representing custom word 70, 71, 72, 73 or 74 respectively.

Existing descriptor will be announced.

Press [#] to start recorder. Wait for beeps before speaking.

Speak the desired word clearly near the keypad microphone. Recording stops after 1.5 seconds.

6 = Accept word and ready to record next descriptor (prompt A....d)

[#] = Re-record descriptor

00 = Exit Record mode after pressing 6 (displays blinking 85; enter * + desired data field or menu mode number)

Press any other key to repeat the recorded word.

★56 ZONE PROGRAMMING WORKSHEET

Fill in the required data on this worksheet, then follow the programming procedure in the Installation Instructions.

ZONES ON CONTROL:

See explanation of headings on next page

Zone Description	Zone No. (a 01)	Zone Type (zt)	Alarm rpt code (hex) (rc)
Wired Zone 1	0 1	[][] [00]	[][][][] [00 00]
Duress	9 2	-- --	[][][][] [01 00]
Keypad Panic (1 & *)	9 5	[][] [00]	[][][][] [00 00]
Keypad Panic (3 & #)	9 6	[][] [00]	[][][][] [00 00]
Keypad Panic (* & #)	9 9	[][] [06]	[][][][] [01 00]

Zone No. (A 01)	Zone Type (zt)	Alarm Report Code in hex (rc)	Input Type (I)	Loop No. (l)	Transmitter Serial Number	Vocabulary Index
02	[][] [01]	[][][][] [01 00]	[][] [3]	[][] [2]	[][][][][][]	[][][][] [16-12-99]
03	[][] [01]	[][][][] [01 00]	[][] [3]	[][] [2]	[][][][][][]	[][][][] [04-12-99]
04	[][] [03]	[][][][] [01 00]	[][] [3]	[][] [2]	[][][][][][]	[][][][] [42-99-99]
05	[][] [10]	[][][][] [01 00]	[][] [3]	[][] [1]	[][][][][][]	[][][][] [28-10-99]
06	[][]	[][][][]	[][]	[][]	[][][][][][]	[][][][]
07	[][]	[][][][]	[][]	[][]	[][][][][][]	[][][][]
08	[][]	[][][][]	[][]	[][]	[][][][][][]	[][][][]
09	[][]	[][][][]	[][]	[][]	[][][][][][]	[][][][]
10	[][]	[][][][]	[][]	[][]	[][][][][][]	[][][][]
11	[][]	[][][][]	[][]	[][]	[][][][][][]	[][][][]
12	[][]	[][][][]	[][]	[][]	[][][][][][]	[][][][]
13	[][]	[][][][]	[][]	[][]	[][][][][][]	[][][][]
14	[][]	[][][][]	[][]	[][]	[][][][][][]	[][][][]
15	[][]	[][][][]	[][]	[][]	[][][][][][]	[][][][]
16	[][]	[][][][]	[][]	[][]	[][][][][][]	[][][][]
17	[][]	[][][][]	[][]	[][]	[][][][][][]	[][][][]
18	[][]	[][][][]	[][]	[][]	[][][][][][]	[][][][]
19	[][]	[][][][]	[][]	[][]	[][][][][][]	[][][][]
20	[][]	[][][][]	[][]	[][]	[][][][][][]	[][][][]
21	[][]	[][][][]	[][]	[][]	[][][][][][]	[][][][]
22	[][]	[][][][]	[][]	[][]	[][][][][][]	[][][][]
23	[][]	[][][][]	[][]	[][]	[][][][][][]	[][][][]
24	[][]	[][][][]	[][]	[][]	[][][][][][]	[][][][]
25	[][]	[][][][]	[][]	[][]	[][][][][][]	[][][][]

Button Zones

Zone No. (A 01)	Zone Type (zt)	Alarm Report Code in hex (rc)	Input Type (I)	Loop No. (l)	Transmitter Serial Number	Vocabulary Index
2 6	<input type="text"/> <input type="text"/> [21]	<input type="text"/> <input type="text"/> [01 00]	<input type="text"/> [5]	<input type="text"/> [3]	<input type="text"/>	<input type="text"/> <input type="text"/>
2 7	<input type="text"/> <input type="text"/> [22]	<input type="text"/> <input type="text"/> [01 00]	<input type="text"/> [5]	<input type="text"/> [2]	<input type="text"/>	<input type="text"/> <input type="text"/>
2 8	<input type="text"/> <input type="text"/> [23]	<input type="text"/> <input type="text"/> [00 00]	<input type="text"/> [5]	<input type="text"/> [4]	<input type="text"/>	<input type="text"/> <input type="text"/>
2 9	<input type="text"/> <input type="text"/> [23]	<input type="text"/> <input type="text"/> [00 00]	<input type="text"/> [5]	<input type="text"/> [1]	<input type="text"/>	<input type="text"/> <input type="text"/>
3 0	<input type="text"/> <input type="text"/> [21]	<input type="text"/> <input type="text"/> [01 00]	<input type="text"/> [5]	<input type="text"/> [3]	<input type="text"/>	<input type="text"/> <input type="text"/>
3 1	<input type="text"/> <input type="text"/> [22]	<input type="text"/> <input type="text"/> [01 00]	<input type="text"/> [5]	<input type="text"/> [2]	<input type="text"/>	<input type="text"/> <input type="text"/>
3 2	<input type="text"/> <input type="text"/> [23]	<input type="text"/> <input type="text"/> [00 00]	<input type="text"/> [5]	<input type="text"/> [4]	<input type="text"/>	<input type="text"/> <input type="text"/>
3 3	<input type="text"/> <input type="text"/> [23]	<input type="text"/> <input type="text"/> [00 00]	<input type="text"/> [5]	<input type="text"/> [1]	<input type="text"/>	<input type="text"/> <input type="text"/>
3 4	<input type="text"/> <input type="text"/>	<input type="text"/> <input type="text"/>	<input type="text"/>	<input type="text"/>	<input type="text"/>	<input type="text"/> <input type="text"/>
3 5	<input type="text"/> <input type="text"/>	<input type="text"/> <input type="text"/>	<input type="text"/>	<input type="text"/>	<input type="text"/>	<input type="text"/> <input type="text"/>
3 6	<input type="text"/> <input type="text"/>	<input type="text"/> <input type="text"/>	<input type="text"/>	<input type="text"/>	<input type="text"/>	<input type="text"/> <input type="text"/>
3 7	<input type="text"/> <input type="text"/>	<input type="text"/> <input type="text"/>	<input type="text"/>	<input type="text"/>	<input type="text"/>	<input type="text"/> <input type="text"/>
3 8	<input type="text"/> <input type="text"/>	<input type="text"/> <input type="text"/>	<input type="text"/>	<input type="text"/>	<input type="text"/>	<input type="text"/> <input type="text"/>
3 9	<input type="text"/> <input type="text"/>	<input type="text"/> <input type="text"/>	<input type="text"/>	<input type="text"/>	<input type="text"/>	<input type="text"/> <input type="text"/>
4 0	<input type="text"/> <input type="text"/>	<input type="text"/> <input type="text"/>	<input type="text"/>	<input type="text"/>	<input type="text"/>	<input type="text"/> <input type="text"/>
4 1	<input type="text"/> <input type="text"/>	<input type="text"/> <input type="text"/>	<input type="text"/>	<input type="text"/>	<input type="text"/>	<input type="text"/> <input type="text"/>

EXPLANATION OF ZONE ASSIGNMENT TABLE HEADINGS

A 01 = ZONE No. Zone Numbers are 01 (wired zone), 2-25 (RF zones), 26-41 (Button zones), 92 (duress), 95, 96, 99 (panic zones).

zt = ZONE TYPE 00 = Not Used
 01 = Entry/Exit #1
 02 = Entry/Exit #2
 03 = Perimeter
 04 = Interior Follower
 05 = Trouble Day/Alarm Night
 06 = 24 Hr Silent
 07 = 24 Hr Audible
 08 = 24 Hr Aux
 09 = Fire
 10 = Interior w/Delay
 20 = Arm-Stay
 21 = Arm-Away
 22 = Disarm
 23 = No Alarm Response
 24 = Silent Burglary

rc = ALARM REPORT CODE Two Hex Digits. For each Hex Digit, enter: 00-09 for 0-9, 10 for A, 11 for B, 12 for C, 13 for D, 14 for E, 15 for F. If "00" is entered as the first digit, there will be no report for that zone. For Contact ID reporting, this is enabling code only. Enter any hex digit (other than 00) in the first pair of boxes. The second pair of boxes is ignored.

i = INPUT TYPE
 Enter 3 for RF: Supervised RF
 Enter 4 for UR: Unsupervised RF
 Enter 5 for BR: Button Type RF

I = LOOP NUMBER Used with 5800 RF Loop Input Devices. Record transmitter loop number. Entries are 1-4, depending on device being used. Refer to the transmitter's instructions for appropriate loop numbers.

POWERLINE CARRIER DEVICES WORKSHEET FOR *80, and *81.

Applicable only if Powerline Carrier Devices are to be used, or chime-by-zone feature is used.

*80 OUTPUT DEVICES

Fill in the required data on the worksheet on below and follow the programming procedure in the Installation Instructions as you enter the data during the displays and prompts that appear in sequence.

Note: Field *25 must be programmed with a House Code.

DEVICE NUMBER	ACTION (aa)	S T A R T either or both			S T O P either or both	
		EVENT TYPE (et)	ZONE LIST (zl)	ZONE TYPE / SYST OP'N (zt)	RESTORE ZONE LIST (zl)	ZONE TYPE / SYST OP'N (zt)
P.L.C.D.* 01						
P.L.C.D.* 02						
P.L.C.D.* 03						
P.L.C.D.* 04						
P.L.C.D.* 05						
P.L.C.D.* 06						
SYSTEM 07						
P.L.C.D.*						
SYSTEM 08						
P.L.C.D.*						

*P.L.C.D. = Powerline Carrier Device (X-10).

Where:

A = DEVICE ACTION 0 = No Response; 1 = Close for 2 sec; 2 = Close and stay closed; 3 = Pulse on and off.

ET = EVENT TYPE 0 = Not used; 1 = Alarm; 2 = Fault; 3 = Trouble.

ZL = ZONE LIST 1, 2, or 3 (from Field *81) or 0 = Not Used.

"START" ZONE LIST: Upon alarm, fault, or trouble of ANY zone on this list, device action will START.

"STOP" RESTORE of ZONE LIST: Upon restore of ALL zones on this list, device action will STOP. It need not be same list as used for START.

NOTE: Do not use input type "BR" transmitters in a zone list to STOP a relay action, since these transmitters do not send restore signals.

ZT = ZONE TYPE/SYSTEM OPERATION Choices for Zone Types are:

00 = Not Used	06 = 24 Hr Silent
01 = Entry/Exit#1	07 = 24 Hr Audible
02 = Entry/Exit#2	08 = 24 Hr Aux
03 = Perimeter	09 = Fire Zone
04 = Interior Follower	10 = Interior w/Delay
05 = Trouble Day/Alarm Night	24 = Silent Burglary

Note: Any zone in "ZT" going into alarm, fault, or trouble will actuate relay. Any zone of that type that restores will stop relay action.

Choices for System Operation are:

20 = Arming-Stay	38 = Chime
21 = Arming-Away	39 = Any Fire Alarm
22 = Disarming (Code + OFF)	40 = Bypassing
31 = End of Exit Time	42 = System Battery Low
32 = Start of Entry Time	43 = Communication Failure
33 = Any Burglary Alarm	52 = Kissoff
36 = *At Bell Timeout	58 = Duress

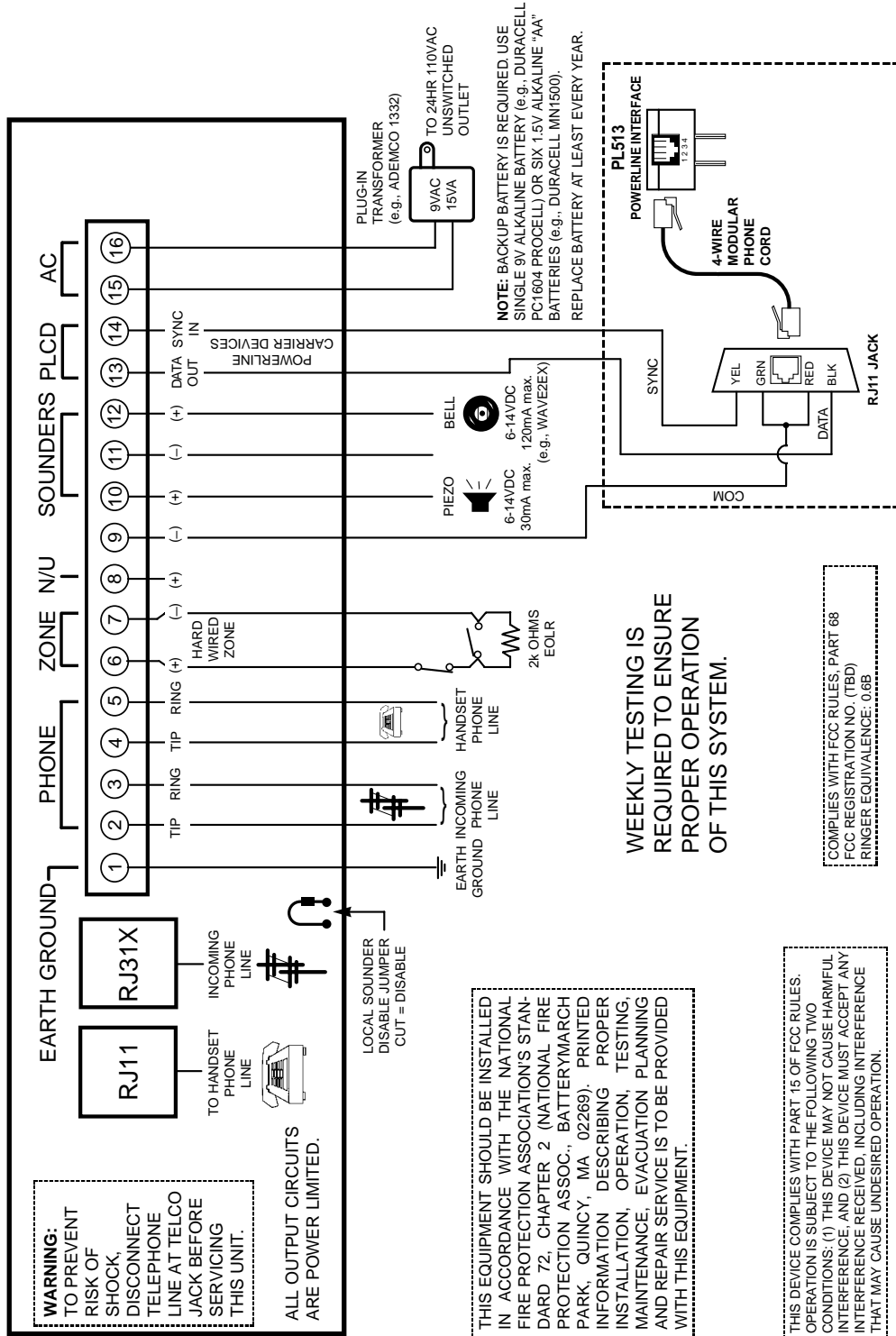
* Or at Disarming, whichever occurs earlier.

Note: In normal operation mode:

For Devices 1-6:
Function Lights On + N
Function Lights Off + N

For Devices 7 and 8:
Code + # + 4 + N
Code + # + 7 + N

N = device (unit) number
(Entry **starts** Device N)
(Entry **stops** Device N)



LYNX SUMMARY OF CONNECTIONS



165 Eileen Way, Syosset, New York 11791
Copyright © 1998 PITTWAY CORPORATION