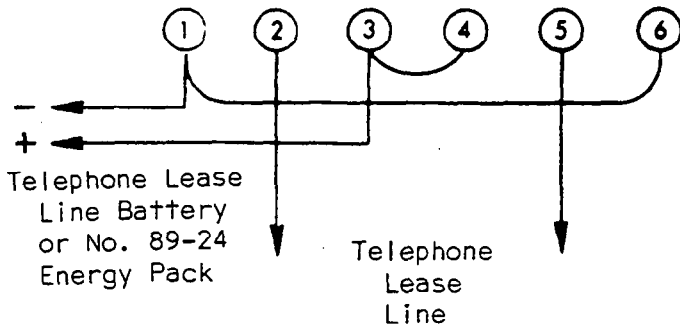
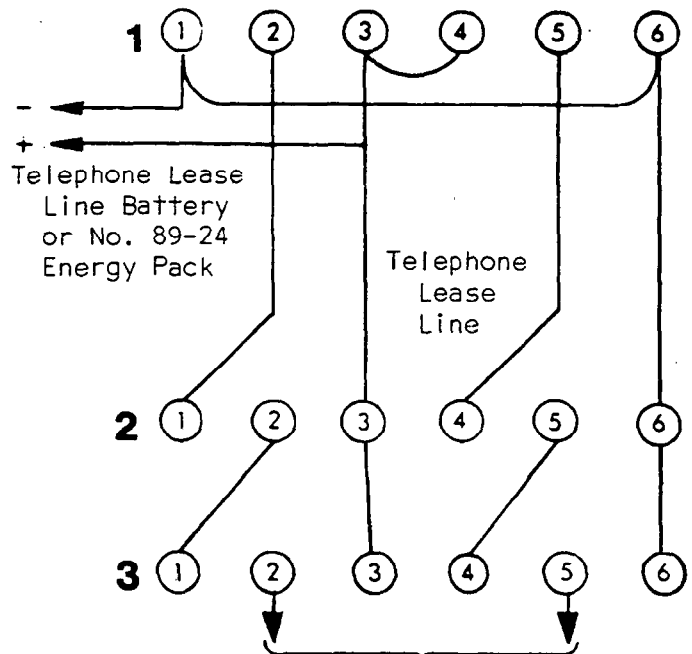


No. 266 HOLD-UP FOOTRAIL

Holdup Circuit for direct connection to Modularm No. 130

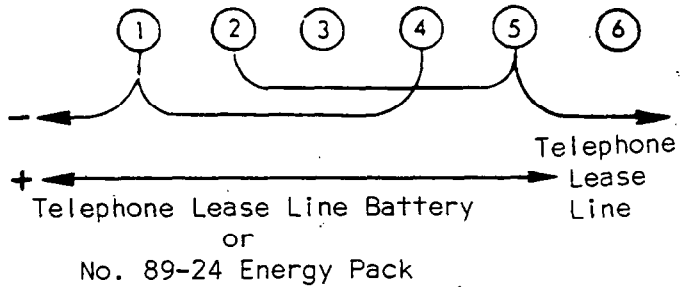


Wiring Diagram for Attaching 2 or More No. 266 to Modularm No. 130

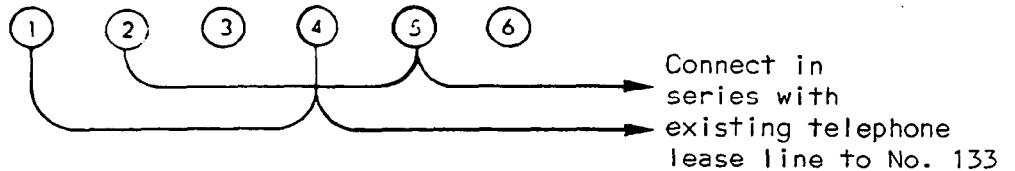


To Phone Lines or to Additional No. 266. Wire as shown Footrail 2 to Footrail 3.

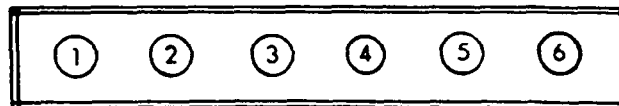
Holdup Circuit for connection to Modularm No. 133



Holdup Circuit for connection to existing telephone line with local panel and Modularm No. 133



Terminal Strip Layout



NORMALLY CLOSED
COMMON
NORMALLY OPEN
NORMALLY CLOSED
COMMON
NORMALLY OPEN