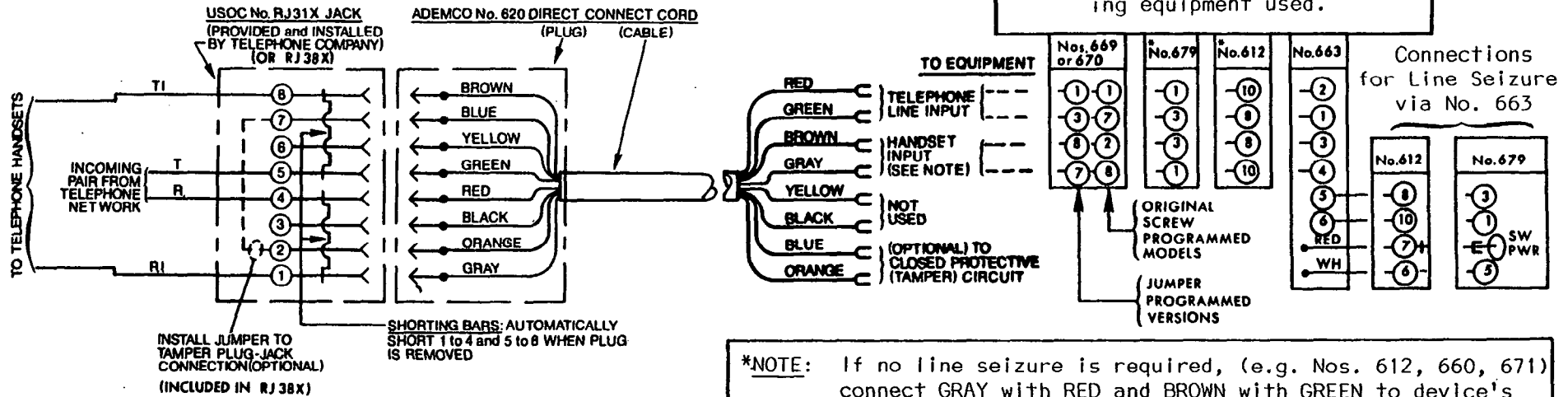


No.620 DIRECT CONNECT CORD

TYPICAL EQUIPMENT CONNECTIONS
also see instructions accompany-
ing equipment used.



***NOTE:** If no line seizure is required, (e.g. Nos. 612, 660, 671) connect GRAY with RED and BROWN with GREEN to device's telephone line input points.
OR, WHERE LOCAL REGULATIONS PERMIT
Connect equipment to telephone line with standard 4 pin telephone plug and jack.

35

DIAGRAM 1: Wiring and Typical Connections

GENERAL INFORMATION:

The FCC (Federal Communications Commission) now permits direct connection of FCC registered equipment to the telephone line by standard plugs and jacks. Telephone company couplers are no longer required.

The No. 620 Direct Connect Cord includes the plug to be used. It plugs into a telephone company supplied and installed USOC (Universal Service Order Code) No. RJ31X or RJ38X Jack.

The No. 620 must be used to "direct connect" equipment that has line seizure capability (i.e. automatic disconnection of handsets from the telephone line during equipment activation) such as:

- No. 663 Line Seizure/Switching Module
- No. 669 Digital Communicator
- No. 670 Digital Communicator
- No. 674 Select-A-Line

Equipment that does not utilize line seizure may be direct connected via the No. 620 and "RJ" Jack as described in Diagram 1. Alternatively, where local regulations permit, a standard 4 pin telephone plug and jack may be used. Such equipment includes:

- No. 612 Automatic Telephone Dialer
- No. 660 Digital Receiver
- No. 671 Digital Call Director
- No. 679 Digital Communicator

OPERATION:

No. 620 plugged in "RJ" Jack: Connection of the handsets to the incoming line can be controlled by the equipment attached to the No. 620.

No. 620 unplugged from "RJ" Jack: Handsets are connected

directly to the incoming line via "shorting bars" within the jack. Protection equipment is disconnected from line.

GENERAL SPECIFICATIONS:

Plug: Miniature, 8 Position, Keyed
Conductors: 8
Jacket: Chrome Vinyl
Length: 7' (2.1 meters)
Termination: U-Lugs

Mates with: USOC (Universal Service Order Code) No. RJ31X or RJ38X Jack (Miniature 8 Position) to be ordered from and installed by telephone company.

TAMPER-PROOFING THE NO. 620 CORD

To be made aware of an unplugged No. 620 cord from the RJ31X jack, the following procedure can be used:

1. In the RJ31X jack, find the connectors which mate with the blue and orange wires from the cord. These connectors are pins 2 and 7 in the accompanying diagram.
2. Attach a jumper wire between these two pins on the jack. Be careful that the jumper connections do not touch any other pins in the jack.
3. Attach the blue and orange wires at the end of the cord in series with the protective circuit (or the 24 hour circuit if so equipped).
4. If the plug is removed from the jack, the protective circuit will be broken, thus causing an alarm when the system is armed (or day zone annunciation in 24 hour panels).

Notify the telephone company of the FCC Registration Number and the Ringer Equivalence of the equipment that will be connected. Do this when the appropriate jack is requested from the telephone company. This information appears on the individual items which may be connected to the telephone line.

Connection may not be made to a party line or coin line.

If the telephone company expects any change in operation or service which may render this equipment incompatible or might affect its performance, they must give you adequate notice.

If service is to be temporarily discontinued by the telephone company, because of what they consider possible harm to the telephone network, they must notify you. You have a right to determine if your equipment is at fault and to correct the situation.

To check if telephone line trouble is being caused by your equipment, unplug the direct connect cord. If the trouble ceases, have your equipment checked by an approved factory service station. If the telephone line trouble persists after the equipment has been unplugged, notify the telephone company.

After trouble has been cleared, plug the equipment back into its telephone line jack.

If the telephone company does not inform you as described above, you have the right to bring complaint against them to the FCC (Federal Communications Commission) under Part 68, Sub-part E of FCC Rules.