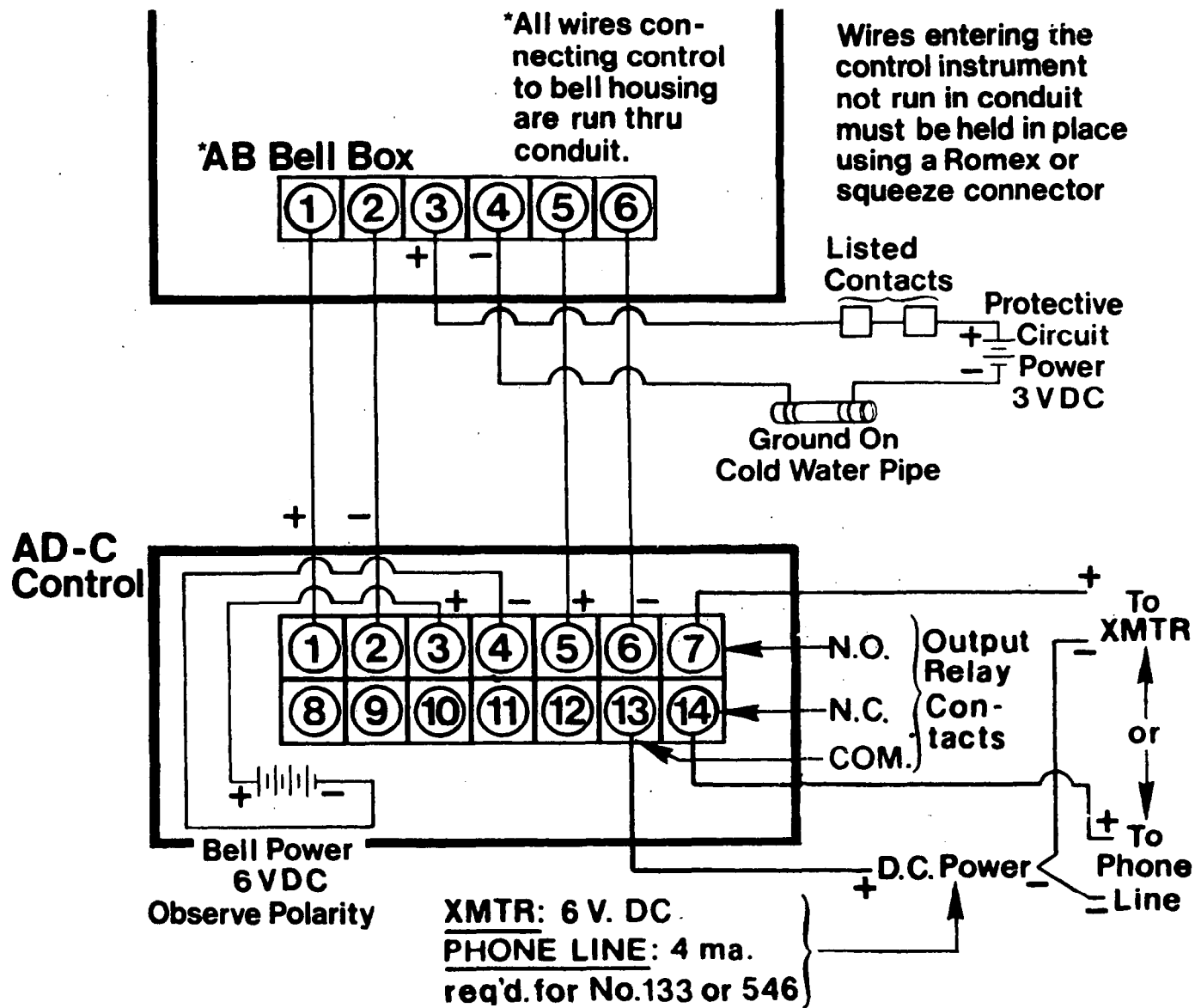


# Model AD GRADE A SYSTEM



**NOTE A:** To activate a dialer, use dry contacts available at terminals 7 and 13.

**NOTE B:** To activate a local McCulloh transmitter (i.e. No. 397), use terminals 7 and 13 and add a 6V. DC power source (refer to above diagram).

**NOTE C:** To use Nos. 546 or 133 Internal Security Modules, use terminals 13 and 14 with a 6V. DC power source (refer to above diagram).