

# No. 5241 SELF-CONTAINED DIGITAL REMOTE STATION

## for Alarm Processing Centers (No. 1024 and 1026 Series)

### GENERAL INFORMATION:

The No. 5241 Self-Contained Digital Remote Station has a 12 button keypad. It provides four digit coded ON/OFF (Arm/Disarm) control for Alarm Processing Centers in the No. 1024 and 1026 Series. It connects directly to the control. No separate adapter is needed.

Panic alarms may be tripped from the keypad by momentarily pushing its buttons marked # and \* simultaneously or, if desired, from panic/emergency devices (momentary or locking type) located elsewhere in the protected premises.

The No. 5241 is intended for indoor use, within the protected premises. No more than one may be connected to the control. When the No. 5241 is used, the key-switch normally connected directly to the panel for ON/OFF control may NOT be used.

Status of the control's burglar alarm circuitry ("not ready for arming", "ready for arming" or "armed") is indicated by two LED's (RED and GREEN) on the face of the unit.

A warning buzzer, included in each unit, is used in conjunction with the control's entry/exit delay zone.

Circuit safeguards erase all prior information entered via the keypad to prevent arming or disarming if more than 3 seconds are taken to enter the code.

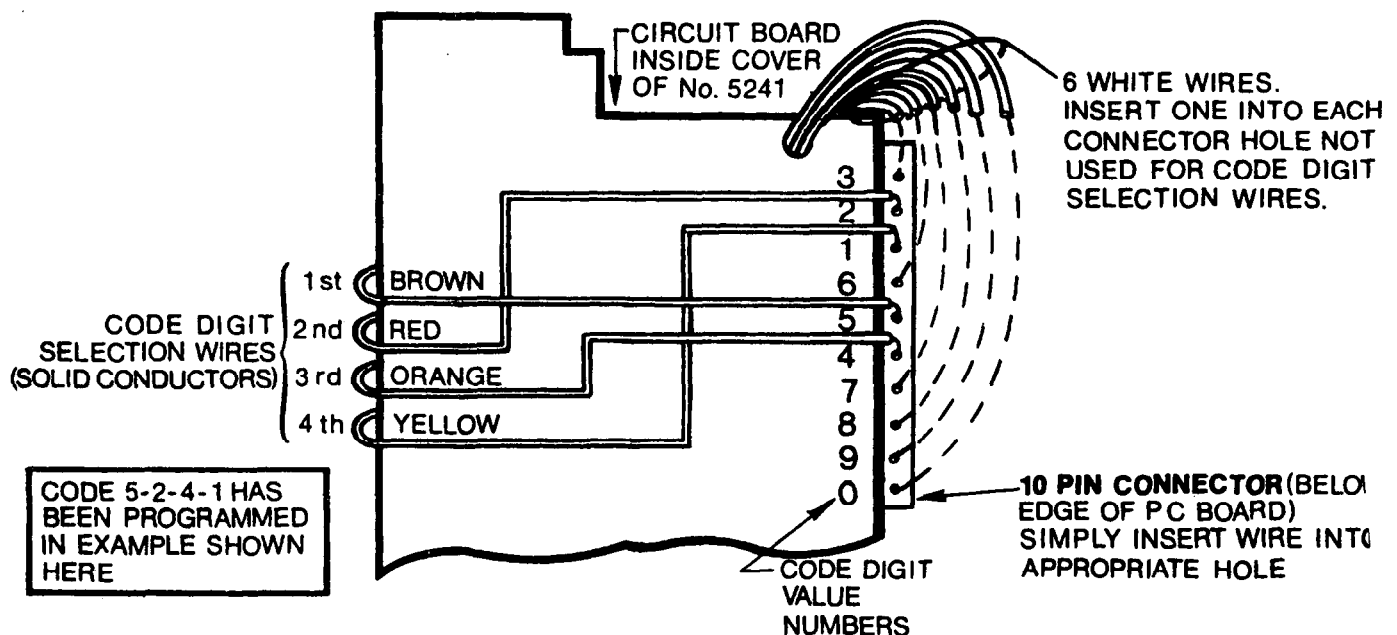


Diagram 1: CODE PROGRAMMING

### INSTALLATION AND WIRING:

1. Select a four digit arm/disarm code for the No. 5241 Remote Station. The code must contain 4 different digits (e.g.: 2-6-3-7). Digits may not be used twice.

2. Program the No. 5241 for its assigned code, as follows (Note: In the following example the No. 5241 is being programmed for code 5-2-4-1):

- a. Remove the unit's cover and position it so that the circuit board within the cover appears as shown in Diagram 1.
- b. Observe the "Code Digit Selection Wires", the four 4 inch solid conductor wires at the left side of the circuit board. The colors are BROWN, RED, ORANGE and YELLOW.
- c. Observe the 10 pin connector below the right edge of the PC board. Its holes are associated with digit values of 0 through 9 as indicated in Diagram 1. Note that the holes are not numbered sequentially.
- d. Simply insert the BROWN wire in the connector hole which corresponds to the numerical value selected for the first digit ("5" in Diagram 1's programmed example).
- e. Similarly insert the RED, ORANGE and YELLOW wires in the holes for the 2nd, 3rd and 4th digits respectively ("2", "4" and "1" in Diagram 1's programmed example).
- f. Insert one of the six WHITE wires into each remaining connector hole.
- g. Replace the unit's cover until ready to mount it in its selected location.

3. Mount the No. 5241 in the desired location and run wiring between it and the control as shown in Diagram 2. Total wiring distance should not exceed 400 ft. Do not connect the wiring to the control until Step 6.

- a. The No. 5241 is intended for surface mounting, WITHIN the protected premises. Concealed wiring may enter via a large square hole in the base of the unit. Breakaway knockouts are provided in the base for exposed wiring.
- b. Where the Alarm Processing Center is provided with a suitable cutout in its cover (as is the No. 1024B), the No. 5241 (less its base) may be flush mounted directly on the Alarm Processing Center's cover, with two self-tapping screws (provided with the No. 1024B).

4. A switch for PANIC RESET is required (N.O., momentary) if the No. 5241's panic feature is to be used. Suggested switches (may be cabinet mounted): No. 2174-70 (flat key), No. 4073-70 (round key), No. 5073-70 (higher security, pick resistant)...or simply a pushbutton such as the No. 8064 may be used. If a pushbutton is used it should be located within the Alarm Processing Center or in some other location where it is not in view.

Mount the switch and run wiring from it to the control panel (see Diagram 2) but do not connect the wires to the control until Step 6.

Note: The No. 5241's panic latching feature permits non-locking (momentary closure) panic/emergency switches, such as the No. 219, to be connected to the Alarm Processing Center (ordinarily only locking type devices may be used). Any number of locking and/or non-locking devices may be connected in parallel. Run wiring from them to the control panel (see Diagram 2) but do not connect to the control until Step 6.

Up to 400 feet of #22 wire (total) may be used for the PANIC RESET and panic/emergency switch wiring.

5. Disconnect the control's battery and AC power.

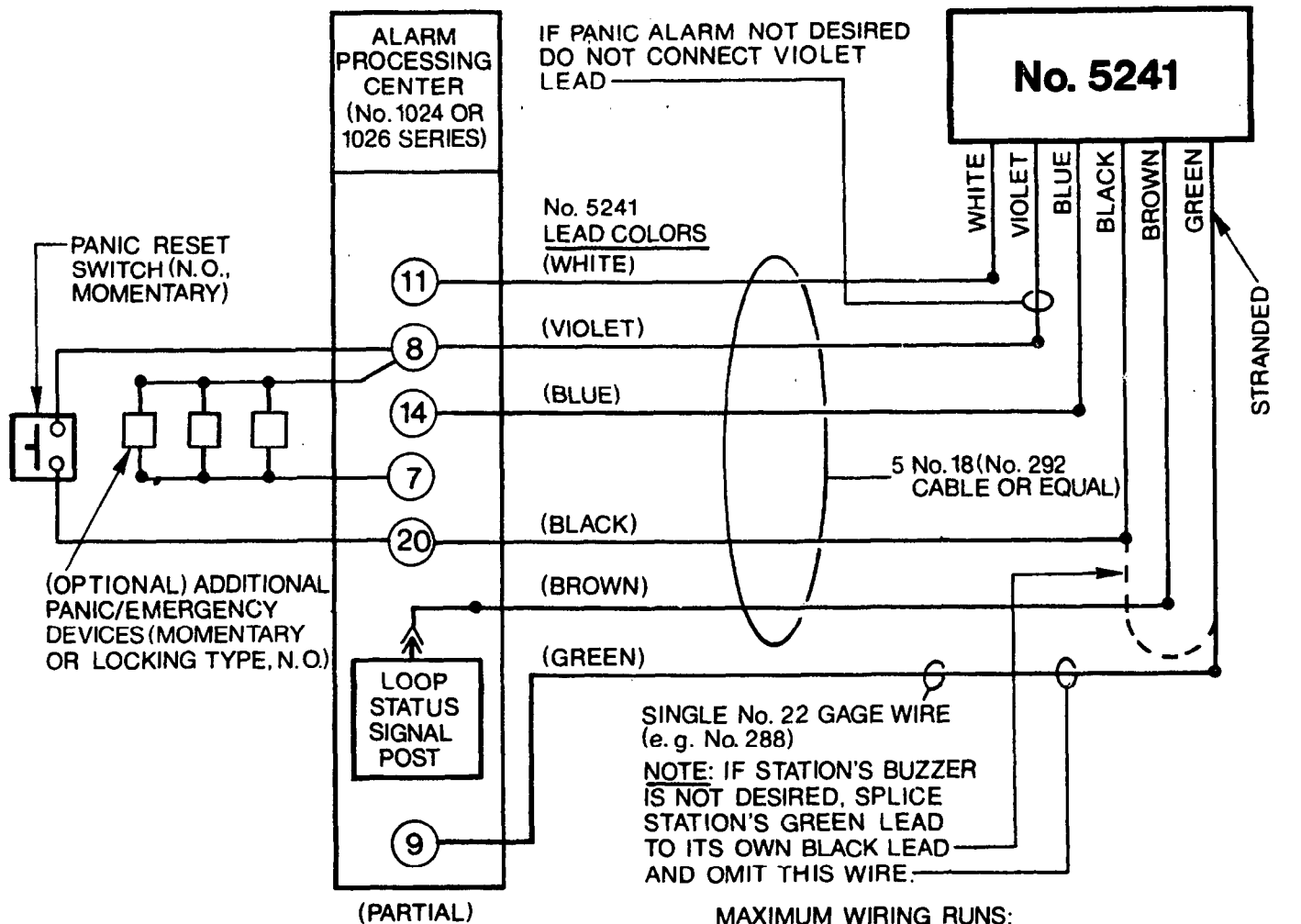


Diagram 2: FIELD CONNECTIONS

6. Connect the wiring to the control as shown in Diagram 2.

Note: If the No. 5241's panic alarm feature is not desired, do not connect its VIOLET lead.

7. Reconnect the control's battery and AC power.

**TESTING AND OPERATION:**

The No. 5241 will indicate the system's status via its GREEN and RED LED's as follows:

<u>LED LIT</u>	<u>SYSTEM STATUS</u>
NEITHER	Disarmed, Protective Circuit(s) Open (Not Ready for Arming)
GREEN	Disarmed, Protective Circuits Closed (Ready for Arming)
RED	Armed (Ready for Alarm or Disarming)

1. Arm and disarm the system at the No. 5241 as follows and check the response of the station's LED indicators:

**IMPORTANT:** During arming and disarming, if more than 3 seconds are taken to enter the entire code or if the code digits are not entered correctly, all prior entered information is erased and code entry must be started anew.

- a. Make sure all protective circuits are closed and the system is ready for arming. The station's GREEN LED should be lit.
- b. Arm the system by entering the station's programmed 4 digit code. The station's GREEN LED should go out and its RED LED should light. Wait, while the exit delay period runs its course.

If a basic protection circuit (without entry/exit delay) is then disturbed, an alarm will sound immediately.

If the entry/exit delay circuit is disturbed, the No. 5241's buzzer will sound during the entry delay period.

- c. Disarm the system by entering the station's programmed 4 digit code. The station's RED LED should go out and its GREEN LED should light.

Note: Each No. 5241's GREEN LED will go off and on as the protective circuits are opened and closed during the disarmed period.

2. Trigger a panic alarm at the No. 5241 as follows:

Note: This assumes that the station's VIOLET lead has not been left disconnected to eliminate this feature, as described previously.

Momentarily press the station's two buttons marked # and \* simultaneously. The panic alarm will sound and continue until the panic reset switch is operated.

If other emergency (panic) devices are being used, test each one similarly.

Note: If locking type devices are used, all triggered devices must be reset before the panic reset switch is operated.

## **SPECIFICATIONS:**

Physical:

Width:	2 7/8"	( 7.3 cm)
Height:	4 5/8"	(11.7 cm)
Depth:	1"	( 2.5 cm)

Electrical: Powered with 6V. DC from Control Instrument (see GENERAL INFORMATION for controls with which the No. 5241 may be used).

Current Drain: EITHER LED ON: 12 ma  
LED's OFF: 0.1 ma

One No. 5241 may be connected to each control unit.