

No. 744 MULTI-TONE SIREN DRIVER

INSTALLATION INSTRUCTIONS

Features:

- High output.
- Operates on 12V DC.
- Compatible with Ademco 4–16 ohm speakers.
- Powers many combinations of speakers (series, parallel, or series-parallel).
- Separate Burglary and Fire Alarm sounds.
- Programmable type of sound.
- Small compact size for easy mounting using double-faced tape – measures only 2-5/8" x 4" x 3/4".

Sound Selection

The driver can be programmed for the desired alarm sound, as indicated below.

Jumper Plug Position	SOUND SELECTION	
	FIRE	BURGLARY
NO JUMPER PLUG	Electronic "Bell"	Warble
POSITION 1 (across pins 1 & 2)	Slow Ramp	British two-tone
POSITION 2 (across pins 2 & 3)	Fast Warble	Fast Dual tone
POSITION 3 (across pins 3 & 4)	Same as position 2	
POSITION 4* (across pins 4 & 5)	Warble	Warble

- * If blue jumper (see Fig.1) is cut with plug in position 4, an output similar to Ademco No. 733 Siren Driver will be produced – "Warble" for BURG, "Steady" for FIRE.

Output Levels**

WARBLE TONE OUTPUT: 119 dB
(at 1 meter)

STEADY TONE OUTPUT: 116 dB
(at 1 meter)

** With Ademco No. 713, 8 ohm,
30W Speaker

Driver Current Consumption***

With 4 ohm speaker load: 2.5 amps.

With 8 ohm speaker load: 1.3 amps..

With 16 ohm speaker load: 0.9 amps.

*** At 12V DC

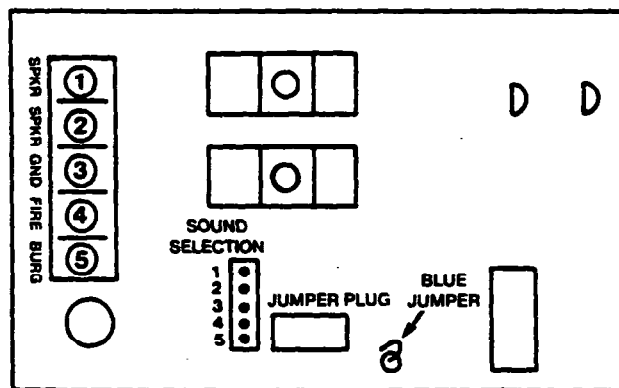


Figure 1. Siren Driver Board

Wiring Connections

- ① SPEAKER – To siren speaker(s). See Figure 2.
- ② SPEAKER – To siren speaker(s). See Figure 2.
- ③ GND – To ground terminal on control.
- ④ FIRE – To Fire alarm relay† (N.O. term) on control (connect control's COM terminal to 12V+).
- ⑤ BURG – To Burglary alarm relay† (N.O. term) on control (connect control's COM terminal to 12V+).

† If control has only one alarm relay, connect its N.O. relay output terminal to either FIRE or BURG terminals on the driver board. Available choices of sound output will then be restricted to those listed under FIRE or BURGLARY in the table above, depending on your connection.

- IMPORTANT:**
1. Do not use the No. 744 in conjunction with an external bell.
 2. Ademco recommends that the No. 744 be mounted in the control cabinet, not remotely.

(CONT'D OVER)

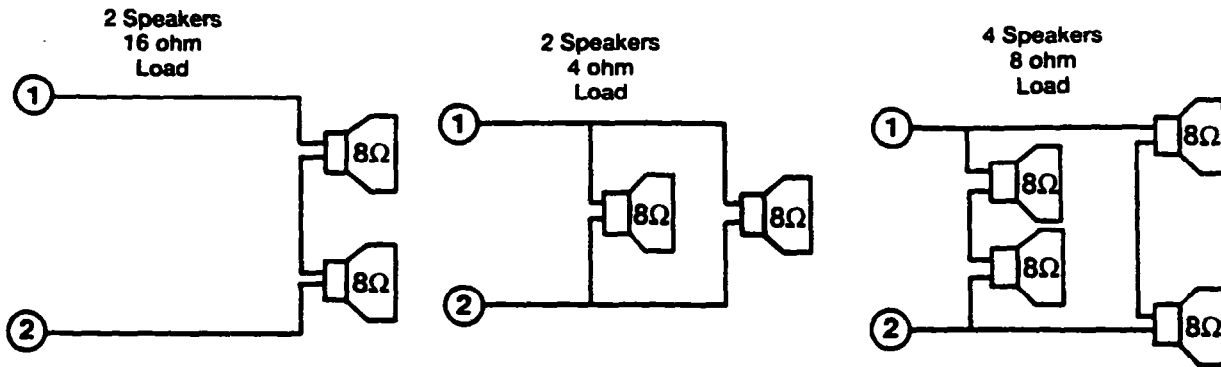


Figure 2. Typical Multiple Speaker Configurations (using Ademco No. 713)

LIMITED WARRANTY

Alarm Device Manufacturing Company, a Division of Pittway Corporation, and its divisions, subsidiaries and affiliates ("Seller"), 165 Eileen Way, Syosset, New York 11791, warrants its products to be in conformance with its own plans and specifications and to be free from defects in materials and workmanship under normal use and service for 18 months from the date stamp control on the product or, for products not having an Ademco date stamp, for 12 months from date of original purchase unless the installation instructions or catalog sets forth a shorter period, in which case the shorter period shall apply. Seller's obligation shall be limited to repairing or replacing, at its option, free of charge for materials or labor, any part which is proved not in compliance with Seller's specifications or proves defective in materials or workmanship under normal use and service. Seller shall have no obligation under this Limited Warranty or otherwise if the product is altered or improperly repaired or serviced by anyone other than Ademco factory service. For warranty service, return product transportation prepaid, to Ademco Factory Service, 165 Eileen Way, Syosset, New York 11791.

THERE ARE NO WARRANTIES, EXPRESS OR IMPLIED, OF MERCHANTABILITY, OR FITNESS FOR A PARTICULAR PURPOSE OR OTHERWISE, WHICH EXTEND BEYOND THE DESCRIPTION ON THE FACE HEREOF. IN NO CASE SHALL SELLER BE LIABLE TO ANYONE FOR ANY CONSEQUENTIAL OR INCIDENTAL DAMAGES FOR BREACH OF THIS OR ANY OTHER WARRANTY, EXPRESS OR IMPLIED, OR UPON ANY OTHER BASIS OF LIABILITY WHATSOEVER, EVEN IF THE LOSS OR DAMAGE IS CAUSED BY THE SELLER'S OWN NEGLIGENCE OR FAULT.

Seller does not represent that its product may not be compromised or circumvented; that the product will prevent any personal injury or property loss by burglary, robbery, fire or otherwise; or that the product will in all cases provide adequate warning or protection. Buyer understands that a properly installed and maintained alarm may only reduce the risk of a burglary, robbery or fire without warning, but it is not insurance or a guarantee that such will not occur or that there will be no personal injury or property loss as a result. CONSEQUENTLY, SELLER SHALL HAVE NO LIABILITY FOR ANY PERSONAL INJURY, PROPERTY DAMAGE OR OTHER LOSS BASED ON A CLAIM THE PRODUCT FAILED TO GIVE WARNING. However, if Seller is held liable, whether directly or indirectly, for any loss or damage arising under this Limited Warranty or otherwise, regardless of cause or origin, Seller's maximum liability shall not in any case exceed the purchase price of the product, which shall be the complete and exclusive remedy against Seller. This warranty replaces any previous warranties and is the only warranty made by Seller on this product. No increase or alteration, written or verbal, of the obligation of this Limited Warranty is authorized.



ALARM DEVICE MANUFACTURING CO.
A DIVISION OF PITTPWAY CORPORATION
165 Eileen Way, Syosset, New York 11791

Copyright © 1991 PITTPWAY CORPORATION

N5746 1/91