

**ADEMCO****INSTALLATION  
INSTRUCTIONS****No. 652MK  
RECESSED  
MOUNTING KIT**

**For use with Nos. 652, 653 Series Passive Infrared Motion Detectors and (with No. 652MP Mounting Plate) No. 1852 PIR Detector.**

**Note:** Model number denotes cover plate color as follows:  
No. 652MK-WH(white); -BR(brown); -TN(tan); -BE(beige).

**INSTALLATION:**

The No. 652MK Recessed Mounting Kit has securing clips for mounting in wall surfaces up to 3/4" thick. As the frame is only 2" deep, the kit can be installed in walls where 2" x 3" studs are used.

1. Cut 3-3/8"W X 5"H opening in wall.
2. Remove detector's cover.
3. Engage base of detector with its mounting plate fully, at least twice, to "break in" its base slots.
4. Fasten detector's mounting plate to No. 652MK's frame, using 3 screws supplied.
5. Hold securing clips in insertion position shown in Diagram 1 and insert frame in opening. Turn securing screws clockwise to move securing clips into place and toward inside of wall surface. Before tightening completely, make sure the frame is straight.
6. Route wires through wiring entry openings near bottom of frame and in base of detector.
7. Engage detector's base slots with hook tabs on mounting plate. Slide base down firmly so interlock lever, if present, can move freely when cover is replaced (Diagram 2).
8. Seal the wire entry openings with caulking compound, silicone rubber or equivalent.  
**IMPORTANT:** Sealing the wire entry openings is necessary to lessen the possibility of false alarms caused by air drafts in the wall cavity.
9. Connect and replace detector's cover.
10. Install No. 652MK's cover plate as follows: Hook No. 652MK's cover plate notch post onto frame's upper (spring) tab (Diagram 2), hold plate vertically, slide down slightly, snap plate's lower notches under frame's lower tabs and release.

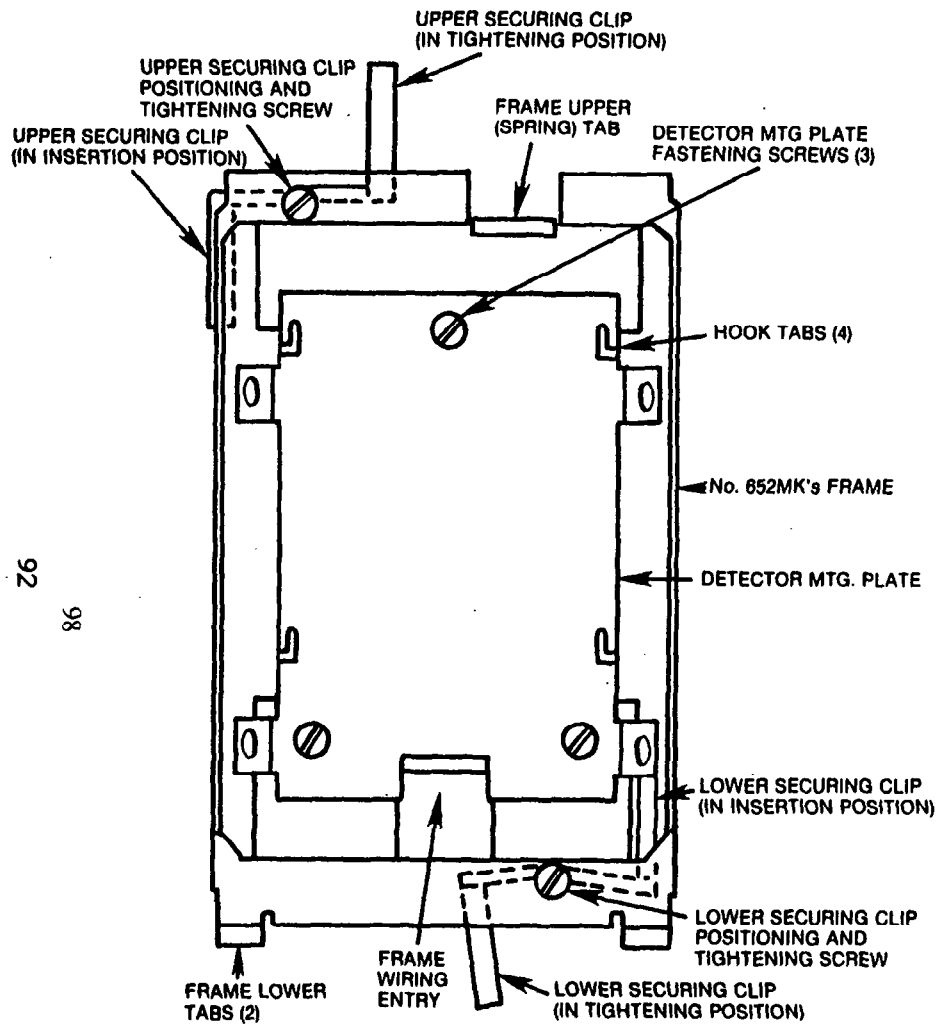
**OVER** **ADEMCO****ALARM DEVICE MANUFACTURING CO.**

A DIVISION OF PITTMAY CORPORATION

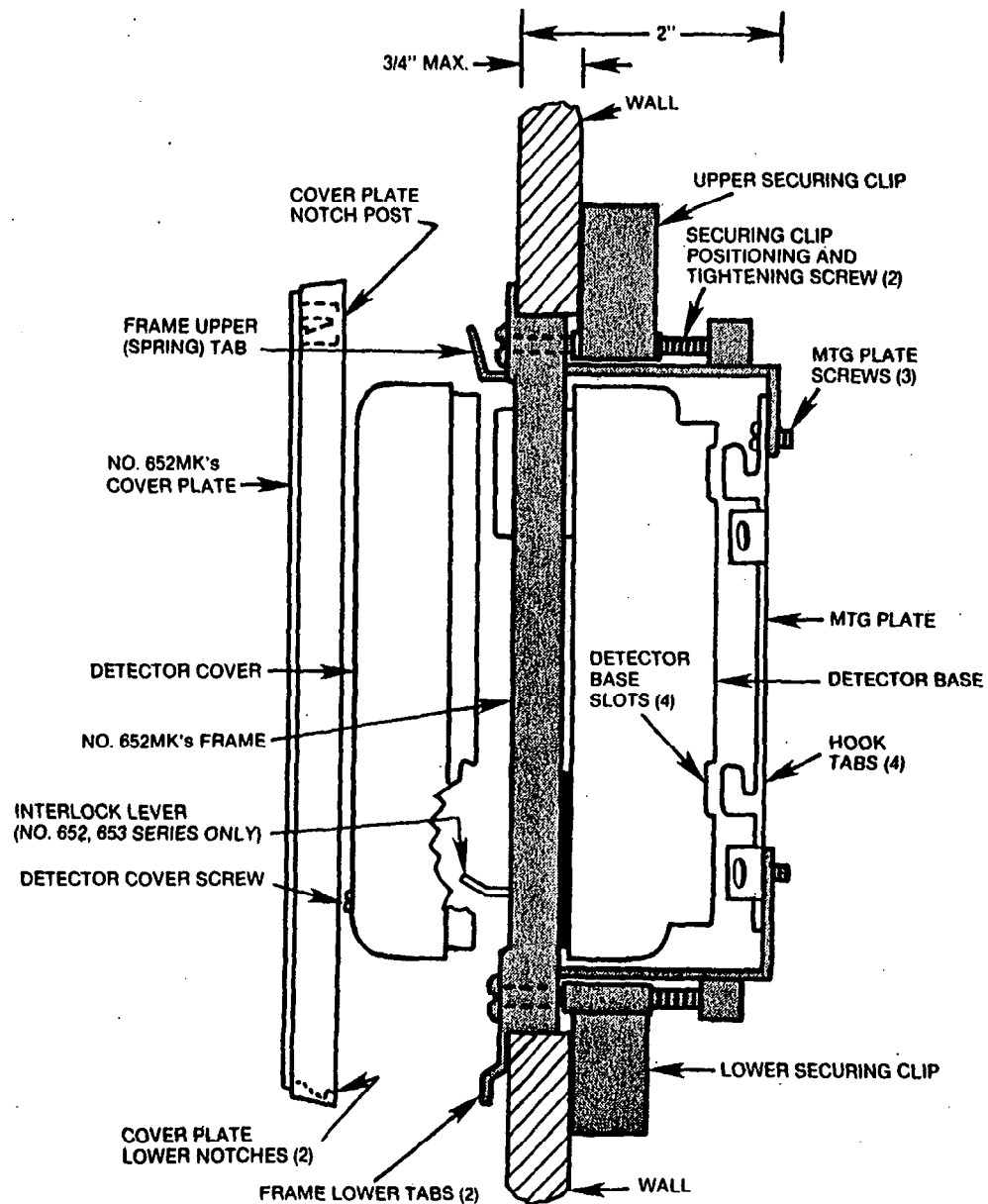
165 Eileen Way, Syosset, New York 11791

92

98



**Diagram 1: NO. 652MK's FRAME WITH DETECTOR MOUNTING PLATE INSTALLED**



**Diagram 2: SIDE VIEW**