

## for INDOOR Use with Nos. 1021-12 and 4021-12 Residential Alarm System Controls

### GENERAL INFORMATION:

The No. 5240-12 Self-Contained Digital Remote Station has a 12 button keypad. It provides four digit coded ON/OFF (Arm/Disarm) control for the Nos. 1021-12 and 4021-12 Residential Alarm System Controls. It connects directly to the control. No separate adapter is needed.

Panic alarms may be tripped from the keypad, as well, by momentarily pushing its buttons marked # and \* **simultaneously**.

The No. 5240-12 is intended for **indoor** use, **within** the protected premises. Up to four may be connected directly to the control, coded identically or differently (including the unit that is built into the No. 4021-12).

Status of the control's burglar alarm circuitry ("not ready for arming", "ready for arming", "armed", or "interior bypassed") is indicated by two LEDs (RED and GREEN) on the face of the unit.

A warning buzzer, included in each unit, is used to provide entry warning, fire trouble sounding, and (during arming) faulted zone warning.

Circuit safeguards erase all prior information entered via the keypad to prevent arming or disarming if more than 3 seconds are taken to enter the code.

6 WHITE (SOLID) WIRES.  
INSERT ONE INTO EACH  
CONNECTOR HOLE NOT  
USED FOR CODE DIGIT  
SELECTION WIRES  
(OMIT "0")  
**NOTE:** One WH wire  
is not used (tape end).

CODE DIGIT  
SELECTION WIRES  
(SOLID CONDUCTORS)

CODE 5-2-4-9 HAS  
BEEN PROGRAMMED  
IN EXAMPLE SHOWN  
HERE

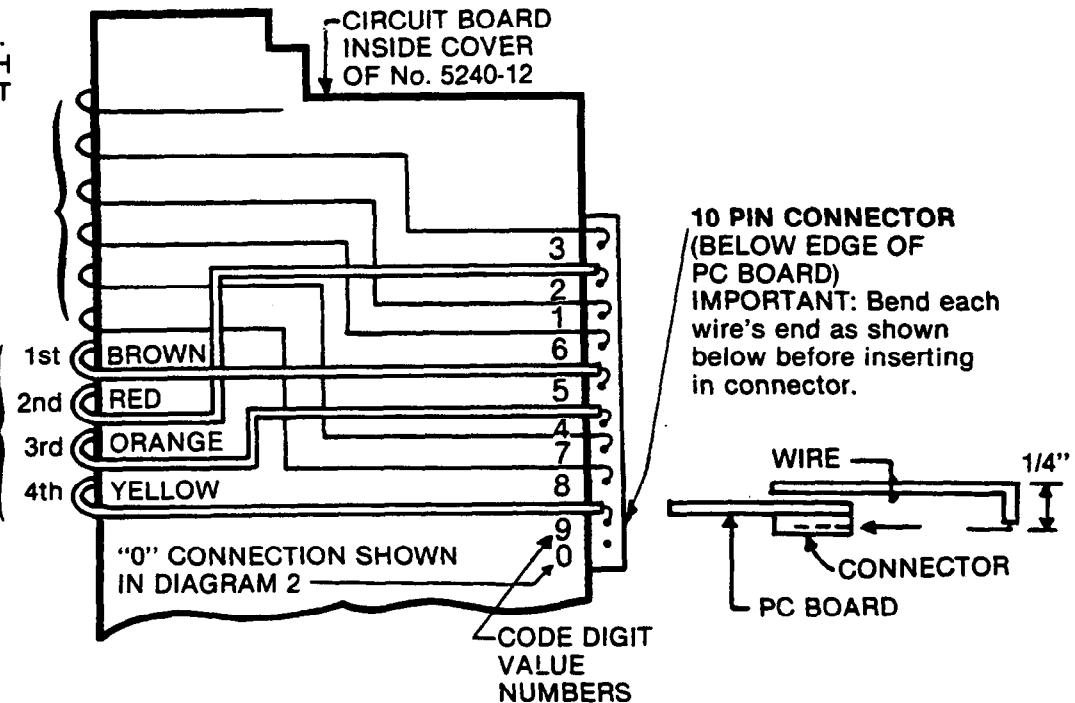


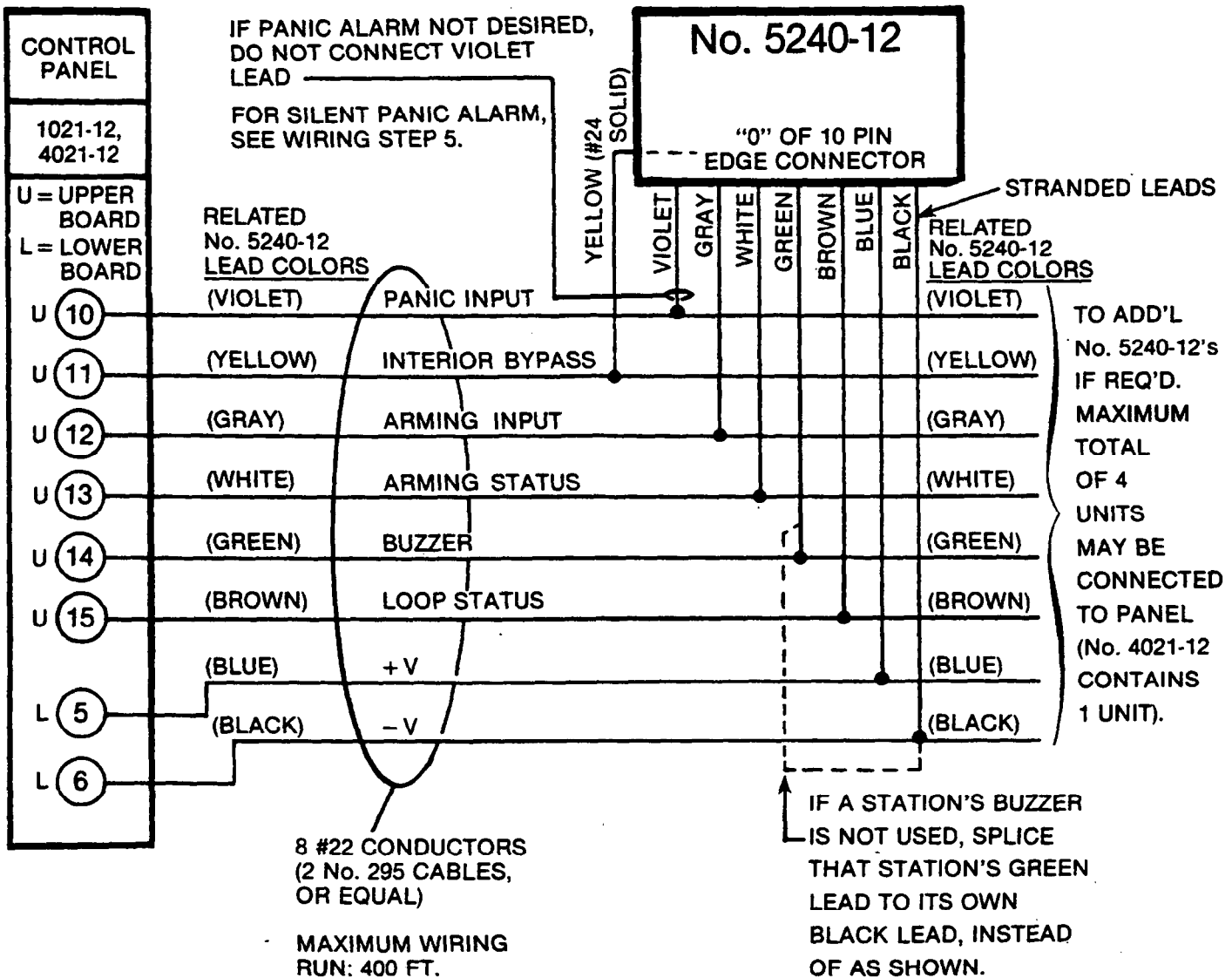
Diagram 1: CODE PROGRAMMING

### INSTALLATION AND WIRING:

1. Select a four digit arm/disarm code for each of the No. 5240-12 Remote Stations (up to 4 per control) to be used. The code must contain 4 different digits (do not use zero). Digits may not be used more than once (such as 2-6-6-7).

Stations on multiple unit installations may be coded differently from each other, if desired.

2. Program each No. 5240-12 for its assigned code, as follows (Note: In the following example the No. 5240-12 is being programmed for code 5-2-4-9):
- Remove the unit's cover and position it so that the circuit board within the cover appears as shown in Diagram 1.
  - Observe the "Code Digit Selection Wires", the four 4 inch solid conductor colored wires at the left side of the circuit board. The colors are BROWN, RED, ORANGE and YELLOW.
  - Observe the 10 pin connector below the right side of the PC board. Its holes are associated with digit values of 1 through 9 and 0 as indicated in Diagram 1. Note that the holes are not numbered sequentially.
  - Simply insert the BROWN wire in the connector hole which corresponds to the numerical value selected for the first digit ("5" in Diagram 1's programmed example).
- Important: To insure good contact, bend the end of each wire as shown in Diagram 1 before inserting it in the connector.
- Similarly insert the RED, ORANGE and YELLOW wires in the holes for the 2nd, 3rd and 4th digits respectively ("2", "4" and "9" in Diagram 1's programmed example).
  - Insert the YELLOW wire provided (12 inch length of #24 AWG, solid conductor) into the "0" hole and route the wire out of the No. 5240-12.
  - Insert one of the six WHITE wires into each remaining connector hole and dress all wires neatly down against the PC board. One WHITE wire will not be used. Its end should be taped.
  - Replace the unit's cover until ready to mount it in its selected location.



3. Mount the No. 5240-12(s) in the desired location(s) and run wiring between it (them) and the control as shown in Diagram 2. Total wiring distance should not exceed 400 ft. Do not yet connect the wiring to the control.

Notes: Up to 4 No. 5240-12(s) may be connected in parallel to the control, either on the same or separate runs.

The No. 5240-12(s) are intended for surface mounting (or flush mounting with a No. 217 Flush Mount Box) WITHIN the protected premises. Concealed wiring may enter via a large square hole in the base of the unit. Breakaway knockouts are provided in the base for exposed wiring.

Field wiring between the control and the No. 5240-12's built-in entry/exit warning buzzer (unit's GREEN lead) will NOT be required if no warning buzzer is desired. In this case, splice each unit's GREEN lead to its own BLACK lead as indicated in Diagram 2.

If any individual buzzer is to be silenced while others are not, splice that particular station's GREEN lead to its own BLACK lead as described in the previous paragraph.

4. Disconnect the control's battery and AC power.

5. Connect the remote station wiring to the control as shown in Diagram 2.

a. For AUDIBLE PANIC ALARM, make connections as shown in Diagram 2.

b. If SILENT PANIC ALARM is desired from the No. 5240-12(s) connection may be made to a supplemental output device. Utilize the VIOLET lead of the No. 5240(s) to obtain a positive (+) 12V.DC supplemental output trigger.

If the device using this trigger is not powered from the same source as the control, also connect a jumper between the control terminal to which the BLACK lead is connected and the negative (-) voltage terminal of the cited device.

c. If the panic alarm feature of the No. 5240-12(s) is not desired do not connect the VIOLET lead(s). Tape the unused end(s).

6. Reconnect the control's battery and AC power.

## TESTING AND OPERATION:

Each No. 5240-12 will indicate the system's status via its GREEN and RED LEDs as follows:

LED LIT	SYSTEM STATUS
NEITHER	Disarmed Protective Circuit(s) Disturbed or Alarm Memory Not Reset (Not Ready for Arming)
GREEN	Disarmed, Protective Circuits Intact (Ready for Arming)
RED, STEADY	Armed (Ready for Alarm or Disarming)
RED, FLASHING	Armed with Interior Zone Bypassed (Ready for Alarm or Disarming)

1. Arm and disarm the system at each No. 5240-12 as follows and check the response of each station's LED indicators:

### IMPORTANT

Wait at least 5 seconds between successive attempts at arming or disarming with the No. 5240-12 or it may not be possible to successfully enter the next disarm/arm code. Exception: The 5 second wait can be eliminated by keying any digit not used in the 4 digit code and then the code.

While the 4 digit code is being entered, if more than 3 seconds are taken to enter the entire arm/disarm code (or if the code digits are not entered correctly), all prior entered information may be erased, thus requiring code entry to be started anew.

a. Make sure all protective circuits are intact and the system is ready for arming. The station's GREEN LED should be lit.

b. Arm the system by entering the station's programmed 4 digit code. The station's GREEN LED should go out and its RED LED should light steadily. If the Interior Zone is to be bypassed enter "0" within 3 seconds after the 4 digit code is entered. This will cause the RED LED to flash.

If a perimeter or unbypassed interior circuit is then disturbed, an alarm will sound immediately.

If an entry/exit delay circuit is disturbed, each No. 5240-12's buzzer will sound during the entry delay period.

c. **Disarm the system** by entering the station's programmed 4 digit code. The station's RED LED should go out and its GREEN LED should light.

**Note:** Each No. 5240-12's GREEN LED will go off and on as the protective circuits are opened and closed during the disarmed period.

**2. Trigger a panic alarm at each No. 5240-12 as follows:**

**IMPORTANT:** Contact the central monitoring station (if any) before testing a PANIC ALARM.

**Note:** The following assumes that the VIOLET lead(s) has (have) not been left disconnected to eliminate this feature, as described previously.

Momentarily press the station's two buttons marked # and \* simultaneously. The panic alarm will sound and continue until the 4 digit code is entered (a SILENT PANIC ALARM will be sent, if this option has been selected). The GREEN LED will go off when the panic alarm is initiated and will remain off until the control's RESET switch is operated subsequently to the entering of the code.

**SPECIFICATIONS:**

**Physical:** Width: 2-7/8" ( 7.3 cm)  
Height: 4-5/8" (11.7 cm)  
Depth: 1" ( 2.5 cm)

**Electrical:** Powered with 12V.DC from Control Instrument (see GENERAL INFORMATION for controls with which the No. 5240-12 may be used)

Current Drain: LED ON: 12 ma  
LEDs OFF: 0.1 ma

Up to 4 No. 5240-12s may be connected to one control unit (No. 4021-12 contains one unit).

**TO THE INSTALLER**

Regular maintenance and inspection (at least annually) by the installer and frequent testing by the user is vital to continuous satisfactory operation of any alarm system.

The installer should assume the responsibility of developing and offering a regular maintenance program to the user as well as acquainting the user with the proper operation and limitations of the alarm system and its component parts. Recommendations must be included for a specific program of frequent testing (at least annually) to insure the system's proper operation at all times.



P4283-1 REV B. 5/83

**ALARM DEVICE MANUFACTURING CO.**  
A DIVISION OF PITTMAY CORPORATION

165 Eileen Way, Syosset, New York 11791

678

Copyright © 1982 PITTMAY CORPORATION