



745X3/ VOICE SIREN DRIVER

INSTALLATION INSTRUCTIONS

Features

- Generates voice output in English, French, and Spanish.
- Separate messages for FIRE and BURGLARY conditions.
- Separate siren sounds for FIRE and BURGLARY conditions.
- Terminal strip for secure connection to control panel.
- Selectable input level (High/Low) for FIRE/BURGLARY inputs.
- Supervision feature for speaker and speaker wiring.
- Compatible with most control panels.
- Sounder options for bell ringback/bell test.
- Compatible with 8-16-ohm speakers.
- Operates on 12-16V DC.
- Small compact size for easy installation using double-sided tape (packed separately) - measures only 4" x 2-5/8" x 1-1/4".

Output Selection

The voice driver can be programmed for the desired alarm output on burglary and fire by means of jumpers JP1 through JP4, as indicated in Table 1. See Figure 1 for location of jumpers.

Table 1. Output Selection

JUMPERS				OUTPUT	
JP1	JP2	JP3	JP4	FIRE	BURG
—	—	—	—	ENG	ENG
X	—	—	—	ENG/FREN	ENG/FREN
—	X	—	—	ENG/SPAN	ENG/SPAN
X	X	—	—	ENG/SPAN/FREN	ENG/SPAN/FREN
—	—	X	—	FREN	FREN
X	—	X	—	SPAN	SPAN
—	X	X	—	SIREN	SIREN
X	X	X	—	ENG	SIREN
—	—	—	X	ENG/FREN	SIREN
—	—	X	X	ENG/SPAN	SIREN
—	X	—	X	ENG/SPAN/FREN	SIREN
—	X	X	X	SIREN	ENG
X	—	X	X	SIREN	FREN
X	X	—	X	SIREN	SPAN
X	—	—	X	SIREN	ENG/SPAN/FREN
X	X	X	X	ENG	ENG

X = CUT, — = INTACT

Bell Test/Ringback Options (JP5)

If jumper JP5 is kept intact, the siren driver will generate a steady sound for bell test and bell ringback conditions.

If the jumper is cut, a warbled sound will be generated for bell test/ringback conditions. **Note:** If this mode is selected, a fire signal will momentarily generate a warbled siren sound for the initial portion of the siren sound and then revert to the normal siren sound and voice message.

Burglary Signal Polarity (JP6)

Intact = High (12V+), cut = Low (0V).

The burglary message may be activated by either a *steady* logic high or a *steady* logic low, as provided by the control panel (refer to the control panel's instructions).

When jumper JP6 is intact, activation is by a logic high (12V+) at terminal 2. Cut jumper JP6 for activation by a logic low (0V). Note that a *pulsing* high or low (pulse width 0.25 to 1.75 seconds, that is provided by some panels) connected to the Burglary/Fire input (terminal 2) will be interpreted as a Fire condition and will produce the fire message.

Fire Signal Polarity (JP7)

Intact = High (12V+), cut = Low (0V).

As in the case of Burglary signal polarity, the fire message may be activated by either a logic high or logic low, but at terminal 3 (Ademco control panels provide a logic high). When jumper JP7 is intact, activation is by a logic high (12V+). Cut jumper JP7 for activation by a logic low (0V).

Burglary Messages:

ENGLISH:

YOU HAVE VIOLATED A PROTECTED AREA . . . THE POLICE HAVE BEEN CALLED . . . LEAVE IMMEDIATELY!

SPANISH:

USTED HA VIOLADO UNA AREA PROTEVIDA . . . LA POLICIA HA SIDO LLAMADA . . . SALGA IMMEDIATAMENTE!

FRENCH:

VOUS AVEZ PENETRE UN LIEU SURVEILLE . . . LA POLICE A ETE AVERTI . . . EVAQUEZ IMMEDIATEMENT!

Burglary Alarm Sequence:

Warble Siren sound, Burglary Voice Message (repeated 3 times), 15-second Warble Siren Sound.

Sequence will repeat until the Burglary output condition is terminated.

Fire Messages:

ENGLISH: FIRE . . . LEAVE IMMEDIATELY!

SPANISH: FUEGO . . . SALGA IMMEDIATEMENTE!

FRENCH: AU FEU! . . . EVAQUEZ IMMEDIATEMENT!

Fire Alarm Sequence:

Steady Siren Sound, Fire Voice Message repeated 3 times on single language output, followed by 15 seconds of Steady Siren Sound.

Sequence will repeat until the Fire output condition is terminated.

Wiring Connections

Wiring connections to the terminals are as follows. Refer to Figure 1 (and Table 2 for Ademco products).

1 SUPV: SPEAKER/WIRING SUPERVISION (OPTIONAL).

For supervision of the speaker and associated wiring, connect to a 24-hour zone that is activated by a short.

Removing the speaker or shorting either speaker terminal to ground will appear as a short on the zone. Note that in series-connected multiple speaker systems, cutting any speaker will trip the control panel's supervision zone. In parallel-connected speaker systems, each branch must be cut before the control panel's supervision zone will trip.

2 B/F: BURGLARY/FIRE INPUT:

Connect the control panel's Burglary (steady) output to this terminal. This terminal may also be used to trip the FIRE message if the control provides a pulsing output for fire (re-programming may be required). In this case, no connection to terminal 3 is required.

3 F: FIRE INPUT:

Connect the control panel's output designated as the FIRE (steady) voltage output to this terminal (unless this output was connected to terminal 2).

4 SPKR & 5 SPKR: SPEAKER TERMINALS:

Connect an 8-ohm or 16-ohm 15-watt speaker to these terminals. See Figure 3 for multiple speaker configurations.

6 (+): 12VDC(+) POWER INPUT:

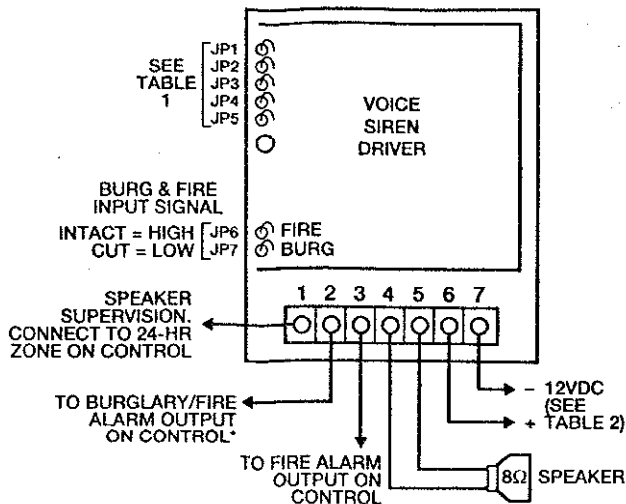
Connect to a 12VDC (+) source on the control; since the driver can draw as much as 1.1 amps, it may be necessary in some cases (see Table 2 for Ademco products) to connect to the system's back-up battery through a 2 amp in-line fuse, as shown in Figure 2.

7 (-): 12VDC(-) POWER INPUT:

Connect to a ground point (-) on the control panel.

Speakers:	15-watt speakers.
Sound Output:	108dB @ 10 ft.
Current Drain:	8-ohm Speaker: 1100 mA (steady siren)
(at 12V DC)	12-ohm Speaker: 950 mA (steady siren)
	16-ohm Speaker: 800 mA (steady siren)

Important: We recommend that the Voice Siren Driver be mounted in the control cabinet, not remotely.



* IF ALARM OUTPUT IS STEADY FOR BURGLARY AND PULSING FOR FIRE, NO CONNECTION IS NEEDED AT TERMINAL 3

Figure 1. Siren Driver Board

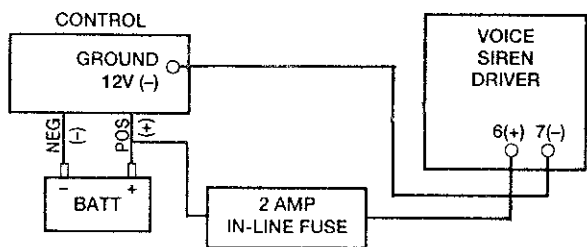


Figure 2. Connecting Power to the 745X3

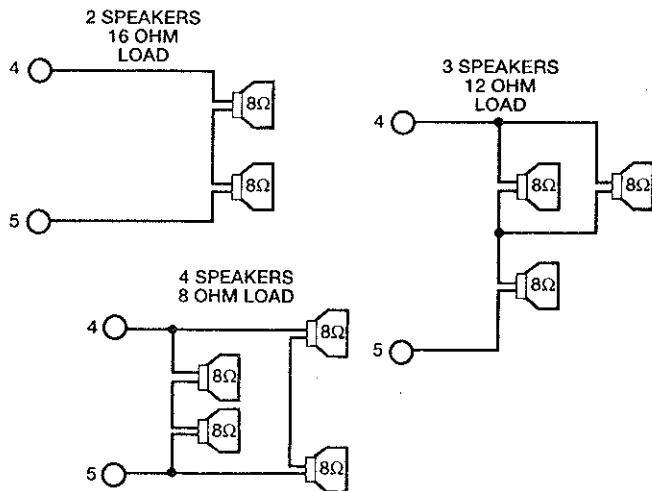


Figure 3. Typical Multiple Speaker Configurations

Table 2. Wiring Connections For Ademco Control Panels*

ADEMCO CONTROL PANEL	745X3 TERMINALS						
	1	2	3	4	5	6	7
4110	OPTIONAL SPKR SUPERVISION (CONNECT TO 24-HR ZONE)		3	-	SPEAKER CONNECTIONS	Splice to Red BATT lead thru 2A fuse (see Fig.2).	4
4110XM			3	-		4	
4120EC			3	-		4	
4130XM/5130XM			22	-		10	
4140XM			8	-		+12V LUG	15
4140XMP		4	-	Splice to Red BATT lead thru 2A fuse (see Fig.2).	5		
4140XMPT		4	-		5		

* For further information, consult the control panel's instructions.

Note: If using the 745X3 with a control with a built-in siren driver, consult that control's instructions to determine the method to disable the built-in siren driver and enable the bell output.

LIMITED WARRANTY

Alarm Device Manufacturing Company, a Division of Pittway Corporation, and its divisions, subsidiaries and affiliates ("Seller"), 165 Eileen Way, Syosset, New York 11791, warrants its products to be in conformance with its own plans and specifications and to be free from defects in materials and workmanship under normal use and service for 18 months from the date stamp control on the product or, for products not having an Ademco date stamp, for 12 months from date of original purchase unless the installation instructions or catalog sets forth a shorter period, in which case the shorter period shall apply. Seller's obligation shall be limited to repairing or replacing, at its option, free of charge for materials or labor, any product which is proved not in compliance with Seller's specifications or proves defective in materials or workmanship under normal use and service. Seller shall have no obligation under this Limited Warranty or otherwise if the product is altered or improperly repaired or serviced by anyone other than Ademco factory service. For warranty service, return product transportation prepaid, to Ademco Factory Service, 165 Eileen Way, Syosset, New York 11791.

THERE ARE NO WARRANTIES, EXPRESS OR IMPLIED, OF MERCHANTABILITY, OR FITNESS FOR A PARTICULAR PURPOSE OR OTHERWISE, WHICH EXTEND BEYOND THE DESCRIPTION ON THE FACE HEREOF. IN NO CASE SHALL SELLER BE LIABLE TO ANYONE FOR ANY CONSEQUENTIAL OR INCIDENTAL DAMAGES FOR BREACH OF THIS OR ANY OTHER WARRANTY, EXPRESS OR IMPLIED, OR UPON ANY OTHER BASIS OF LIABILITY WHATSOEVER, EVEN IF THE LOSS OR DAMAGE IS CAUSED BY THE SELLER'S OWN NEGLIGENCE OR FAULT.

Seller does not represent that the products it sells may not be compromised or circumvented; that the products will prevent any personal injury or property loss by burglary, robbery, fire or otherwise; or that the products will in all cases provide adequate warning or protection. Customer understands that a properly installed and maintained alarm may only reduce the risk of a burglary, robbery, fire or other events occurring without providing an alarm, but it is not insurance or a guarantee that such will not occur or that there will be no personal injury or property loss as a result. CONSEQUENTLY, SELLER SHALL HAVE NO LIABILITY FOR ANY PERSONAL INJURY, PROPERTY DAMAGE OR OTHER LOSS BASED ON A CLAIM THE PRODUCT FAILED TO GIVE WARNING. HOWEVER, IF SELLER IS HELD LIABLE, WHETHER DIRECTLY OR INDIRECTLY, FOR ANY LOSS OR DAMAGE ARISING UNDER THIS LIMITED WARRANTY OR OTHERWISE, REGARDLESS OF CAUSE OR ORIGIN, SELLER'S MAXIMUM LIABILITY SHALL NOT IN ANY CASE EXCEED THE PURCHASE PRICE OF THE PRODUCT, WHICH SHALL BE THE COMPLETE AND EXCLUSIVE REMEDY AGAINST SELLER. This warranty replaces any previous warranties and is the only warranty made by Seller on this product. No increase or alteration, written or verbal, of the obligations of this Limited Warranty is authorized.

ADEMCO

ALARM DEVICE MANUFACTURING CO.
A DIVISION OF PITTPWAY CORPORATION

165 Eileen Way, Syosset, New York 11791
Copyright © 1992 PITTPWAY CORPORATION