



# No. 4204CF

## SUPERVISED NOTIFICATION APPLIANCE MODULE INSTALLATION INSTRUCTIONS

### GENERAL INFORMATION

The 4204CF Supervised Notification Appliance Module adds up to 2 Class B (Style Y) Supervised Notification Appliance Outputs to compatible ADEMCO Control Panels (for more information on Style Y, see NFPA 72 National Fire Alarm Code Chapter 3: Protected Premises Fire Alarm Systems). Refer to your control panel's installation instructions to determine if it supports this module. Each output is supervised using a model 610-7 2K EOL resistor (2 resistors supplied).

Each appliance output is rated at 1.2A max. You can power these outputs from the Control Panel or from a supplementary UL864 commercial fire listed (power limited) power supply rated at 8-30 VDC (regulated)/VFW (full wave rectified, unfiltered).

The 4204CF connects to the control via the control's keypad wiring. From the Control Panel's keypad wiring, the 4204CF receives output activation commands and sends output supervision status back to the Control Panel.

The 4204CF has a built-in cover tamper switch, which allows it to detect and report the removal of its cover to the Control Panel.

### INSTALLATION Mounting

For fire alarm installations, mount the 4204CF inside a U.L. 864 listed cabinet such as the control's cabinet or the supplementary power supply cabinet (if used). Cover tamper supervision is not required; to disable tamper supervision, set DIP switch Position 1 to the ON position.

- Cover tamper supervision is not supported by all control panels. For other (i.e. non-fire alarm) installations, a separate enclosure is not required. Mount the 4204CF directly on a surface using the slotted holes located on the back of its housing (mounting screws provided). Feed the wires through the slot on the side or through the breakout located on the back of the housing. Cover tamper supervision can be used, if supported by the control panel.
- Affix the connections label (provided) to the inside of the 4204CF's cover.

### Connections and Settings

Select and set an address for the 4204CF using its DIP switch settings as shown in Diagram 1. Assign a unique address to the 4204CF so that the control can communicate with it. Refer to the control's Installation Instructions to determine which address or range of addresses to use.

Make connections to the control's keypad wiring by using the 4-position terminal block TB1, or the 4-pin plug (plug cable provided). Make connections to the Notification Appliance Power input and outputs via the module's 12 position terminal block (TB2) (refer to Diagrams 2, 3 & 4).

- Only **relay 1** (Output A) and **relay 3** (Output B) may be programmed for activation. Refer to the control's Installation Instructions for programming output activation and supervision options.
- When programming 4204CF output activation options in the control panel, outputs must not be programmed to "Close for 2 Seconds." Any other option may be used, but do not program the relay to "Stop" in less than 10 seconds.

### SPECIFICATIONS

**Physical** 6-7/16" W x 4-1/4" H x 1-1/4" D  
(163mm x 108mm x 32mm)

#### Electrical

##### +12V Input

Input Voltage: +12VDC (10-14VDC)  
Input Current: 25mA + 80mA per active output

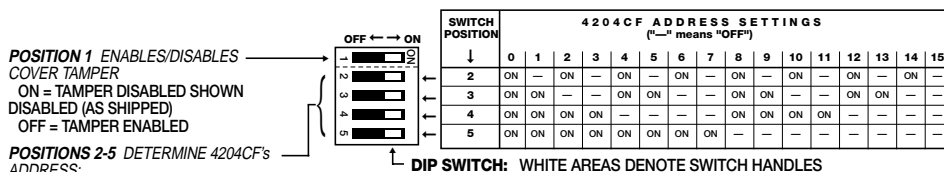
##### Notification Appliance Power Input

Input Voltage: 8-30 VDC or VFW  
Input Current: 0 mA when both outputs inactive. Up to 2.4A when both outputs are active

##### Notification Appliance Outputs

Output Voltage: Supplied by notification appliance power input  
Output Current: Each output must be limited to 1.2A max  
Miscellaneous: Outputs are supervised (Style Y) using 610-7 2K EOL resistor and are power limited. Refer to the instructions for the notification power supply used for a list of compatible indicating devices.

### SETTINGS



- ALARM POLARITY SHOWN
- EACH OUTPUT PROVIDES STYLE Y SUPERVISION
- EACH OUTPUT RATED 1.2A MAX
- USE NOTIFICATION APPLIANCES COMPATIBLE WITH NOTIFICATION APPLIANCE POWER SUPPLY VOLTAGE RATING

### CONNECTIONS

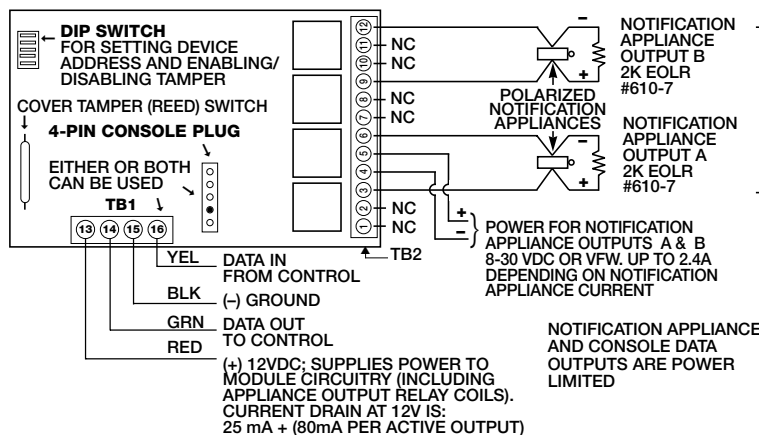
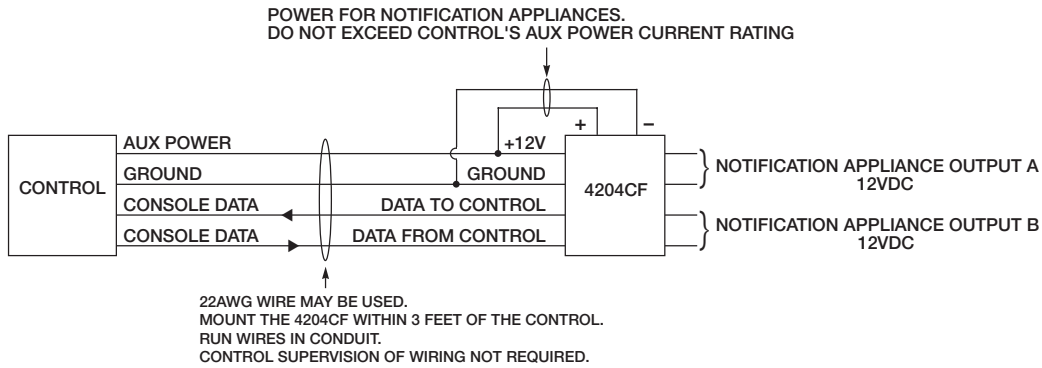
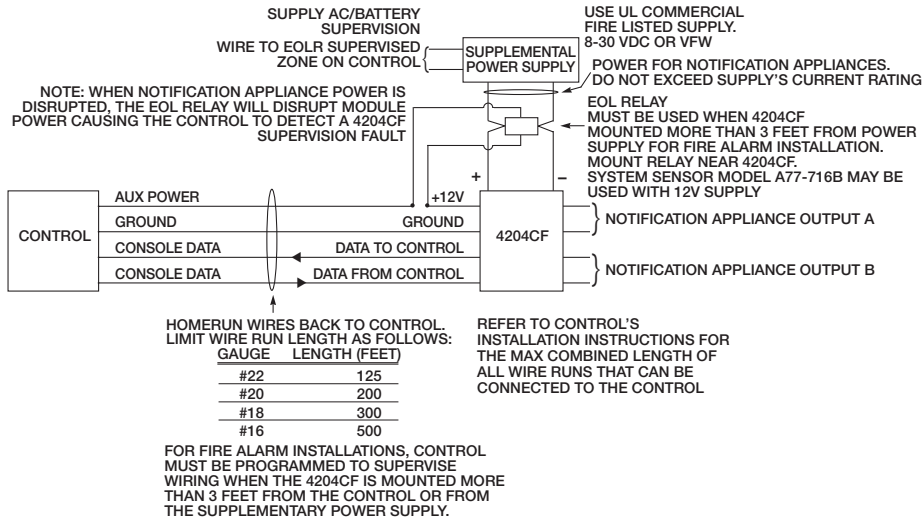


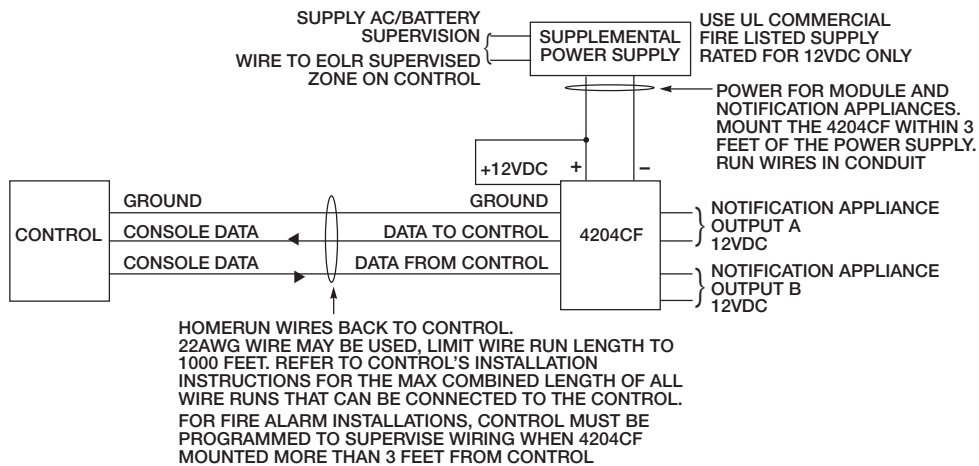
Diagram 1. SETTINGS AND CONNECTIONS



**Diagram 2. MODULE AND NOTIFICATION APPLIANCES POWERED FROM CONTROL**



**Diagram 3. MODULE POWERED FROM CONTROL, NOTIFICATION APPLIANCES POWERED FROM SUPPLEMENTARY SUPPLY**



**Diagram 4. MODULE AND NOTIFICATION APPLIANCES POWERED FROM SUPPLEMENTARY POWER SUPPLY**



**ALARM DEVICE MANUFACTURING COMPANY**  
A DIVISION OF PITTSWAY CORPORATION  
**165 Eileen Way, Syosset, New York 11791**  
Copyright © 1996 Pittway Corporation