

4101SN



FEATURES

The ADEMCO 4101SN V-Plex Single Output Relay Module is an accessory for use with ADEMCO control panels that support serial number addressable polling loop output devices. The 4101SN features the following:

- ◆ Form C relay contacts rated at 2A, 28VACNDC with contact supervision. The position of the relay is supervised, but not the actual external contact wiring.
- ◆ One class B/style B EOLR-supervised aux input zone.
- ◆ Operating power and communication with control panels via the addressable V-Plex polling loop.
- ◆ Electronics mounted in a small plastic case with tamper-protected cover.
- ◆ Suitable for residential and commercial burglary and fire installations.

SPECIFICATIONS

Physical:

Width: 2-1/8- (53mm) Height: 3-1/4 (84mm) Depth: H (25mm)

Electrical:

Polling loop input voltage range: 8-14VDC addressable polling loop current draw: 7mA (continuous) Relay contact rating: 2A @ 28VAC/VDC, both resistive and inductive loads

Aux Zone:

- ◆ 10k EOLR (internal when white jumper intact: external when white jumper cut)
- ◆ 300 ohm max zone resistance (excluding EOLR)
- ◆ Responds to open or short circuit fault having 250mSec or longer duration
- ◆ Class B (style B when used with panels providing earth ground fault detection)

AGENCY LISTINGS

- ◆ UL985 Household Fire
- ◆ UL1023 Household Burglary
- ◆ UL609 Commercial Burglary
- ◆ UL864 Commercial Fire
- ◆ CSFM (pending)
- ◆ FM (pending)
- ◆ MEA (pending)

MOUNTING INSTRUCTIONS

1. Remove the case cover by first removing the screw.
2. Fasten the case back to the wall with three #6 screws (not supplied) through the case back. (See Figure 1. on back page)
3. The wall surface must be flat and substantially vibration-free.

WIRING INSTRUCTIONS

1. Run the wiring through the access slots in the case back and connect at the appropriate terminal block screw(s).

**Addressable
V-Plex Single
Output Relay
Module**

4101SN

2. Make wiring connections as shown (in Figure 1 on back page). When you leave the white jumper intact, the 10k EOLR for the aux zone is internal only. N.O. devices may be used, and these devices must be mounted no farther than 3 feet from the module. In commercial installations, wiring must be mechanically protected with conduit or equivalent.

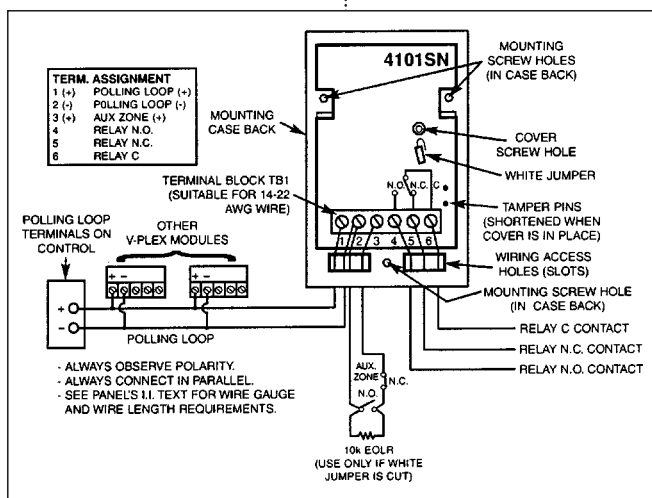


Figure 1

When you cut the white jumper, you must connect the 10k EOLR for the aux zone to the end of the zone wire run. Either N.O. or N.C. devices may be used, and these devices may be located where desired.

When the aux zone is programmed for burglary response type, you may use the discrete 10k resistor (supplied). When this zone is programmed for fire response type, you must use the model number WA 610-13 resistor (supplied).

3. Place the cover over the PCB and insert the screw to hold it in place.

PANEL PROGRAMMING INSTRUCTIONS

The 4101SN Module's serial number must be enrolled in the control panel so that the panel can communicate with it. Each 4101SN (if there is more than one connected to the addressable polling loop) is enrolled one at a time. The following steps outline the general procedure for how this is

done. Refer to the control panel's Installation Instructions for additional information.

1. Enter the panel's Programming mode.
2. Enter Zone Programming mode.
 - ◆ Assign a unique zone number and a non-zero zone response type to the 4101SN. This zone will be used to annunciate aux zone faults, communication problems, and cover tamper faults for this 4101SN.
 - ◆ Select Input Type = "06" (for serial number polling loop device), V-Plex Relay = "Yes" and Loop # = "1" for this zone.
 - ◆ Select the Learn S/N = "Yes" option. Remove the enclosure cover (or short the aux zone) to cause the 4101SN to send its serial number to the panel. The panel will acknowledge receipt of the serial number and will require the cover to be replaced (or the aux zone to be restored) to confirm that the serial number was enrolled correctly.

The cover tamper feature must be used in commercial installations when the 4101SN is not mounted inside the panel's enclosure, and must be enabled at the control panel (program field •24=0 on most controls).

3. Enter Relay Programming mode.
 - ◆ Assign a unique 2-digit relay number "XX" and then assign relay start/stop activation options to the 4101SN.
 - ◆ Select Relay Type = "0" (for V-Plex relay) and then enter the zone number selected in Zone Programming as the V-Plex Zone Number. The panel will 1 annunciate relay activation problems as well as communication problems and cover tamper faults for this 4101SN on system zone 6XX where "XX" is the selected relay number. Generally, the panel's default response for all such system zones is 24-hour trouble (type 19). If desired, this may be changed using the panel's Zone Programming mode.

Repeat the above procedure for each 4101SN in the system.

Ordering Information

Part No.	Description
4101SN	V-Plex Single Output Relay Module